

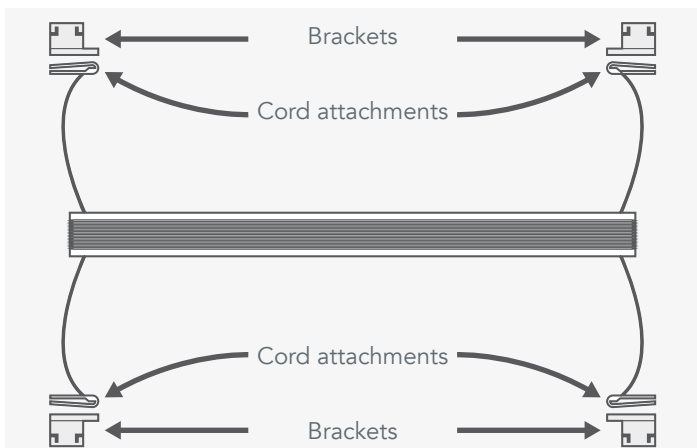


We've made a handy video version of this fitting guide, just click the play button to view it.

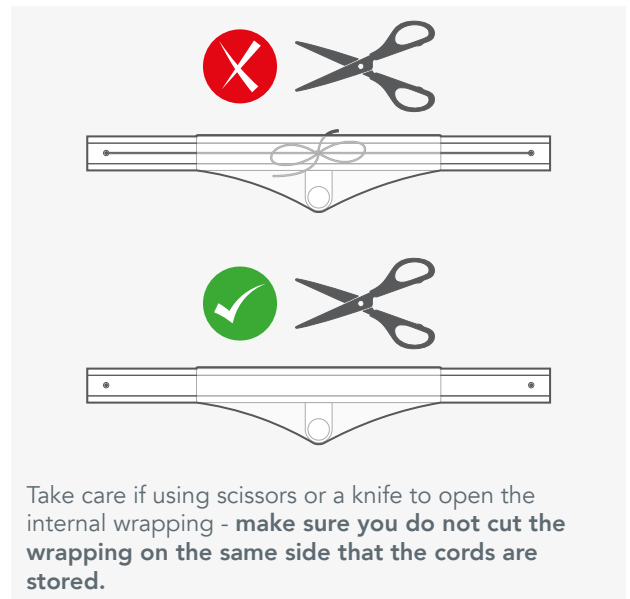
If you prefer to print the instructions or simply to follow step-by-step, just keep reading.

## Unpacking the blind and fitting the brackets

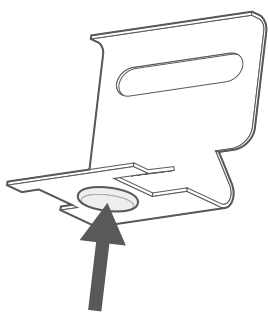
**1**



Allocate the brackets so that those with the 'winged' area to the right are used for the left hand side of the blind, and those with the winged area to the left are used for the right hand side of the blind.



Take care if using scissors or a knife to open the internal wrapping - **make sure you do not cut the wrapping on the same side that the cords are stored.**

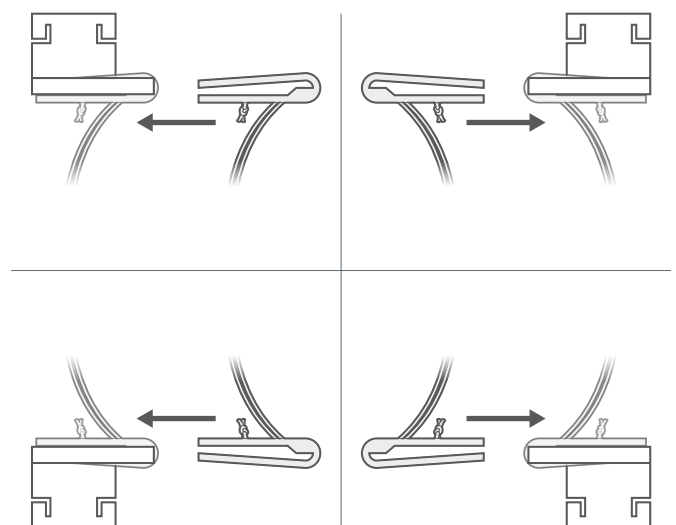


**1**

Place the transparent circular pads onto the back of each bracket.

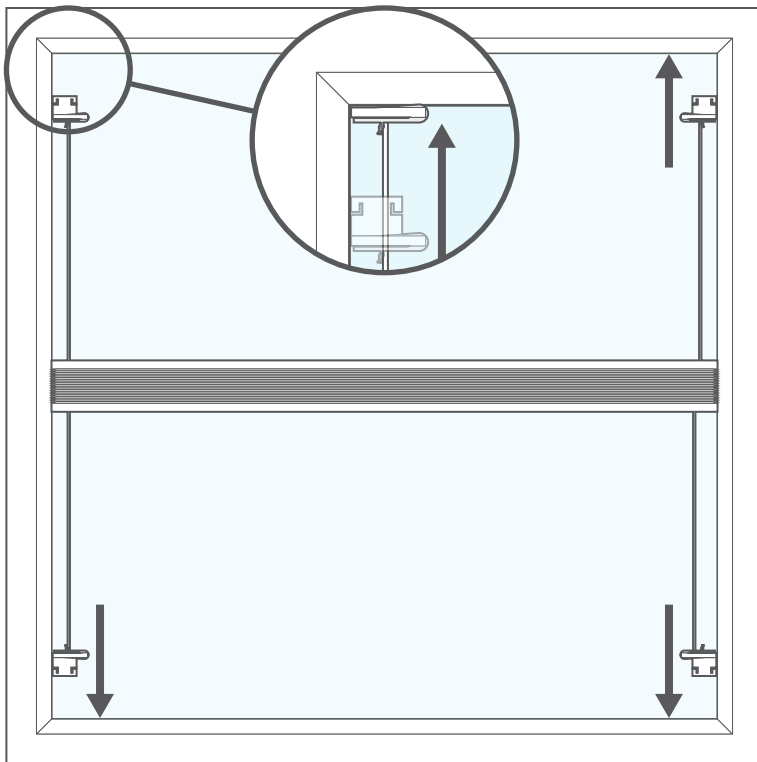
**2**

Then, clip the cord attachments onto the brackets.



**Fitting the blind**

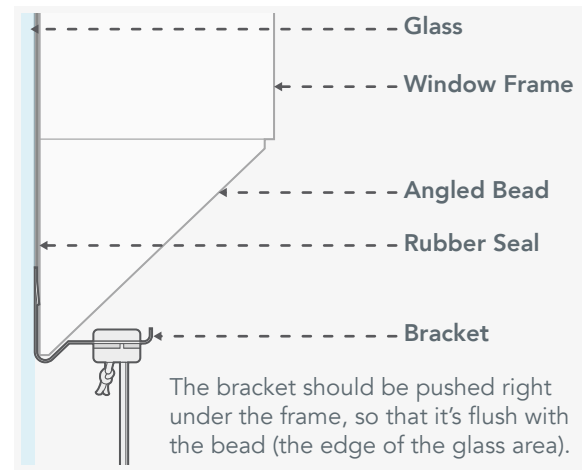
**2**



Click the brackets into the window to complete the installation.

NB: The bracket fits under the rubber or Mastik seal so that it sits flush to the glass area.

If the seal is quite stiff, apply a small amount of washing-up liquid to the area that the brackets will be fitted to ease the installation.



**Fine-tuning the tension**

**3**

The tension on the blind should be correct for your window size as soon as the blind is fitted. However, if you find that the blind is a little loose and slips down or is stiff to operate, you may want to adjust the tension.

This can be done without taking the blind down, just move the knot on the cord along to the adjacent slot on the cord attachment. Move the knot to the outer slot (away from the centre of the window) to tighten the tension, or to the inner slot (towards the centre of the window) to loosen the tension.

While all four brackets allow for the tension to be altered, it's rare that all four would need adjusting. Adjust the bottom two knots first (always do both to keep the tension even) then test the blind, the tension should now be corrected. Only alter the position on the top brackets if further adjustment is required.

