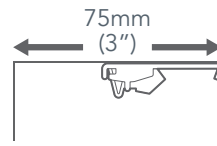
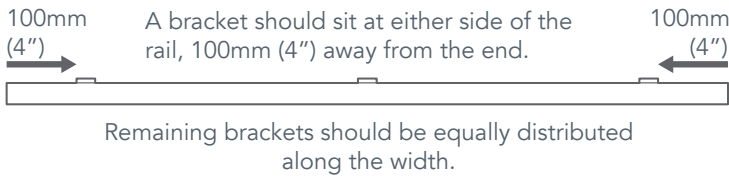


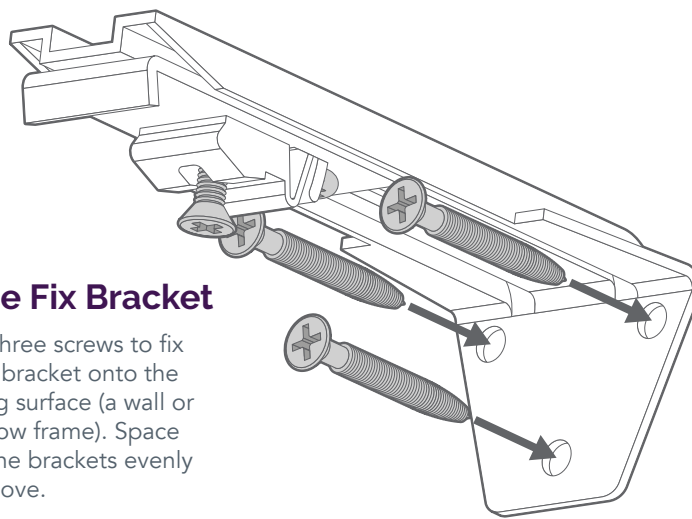
**Before you begin**



If you are using top-fix brackets, the front edge of the bracket must be at least 75mm (3") away from the facing surface behind the rail. This will ensure that the waves in the fabric do not brush against the wall or window behind.

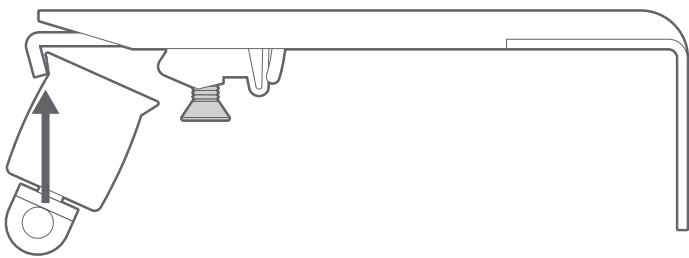
**Installing the brackets and fitting the rail**

**1**

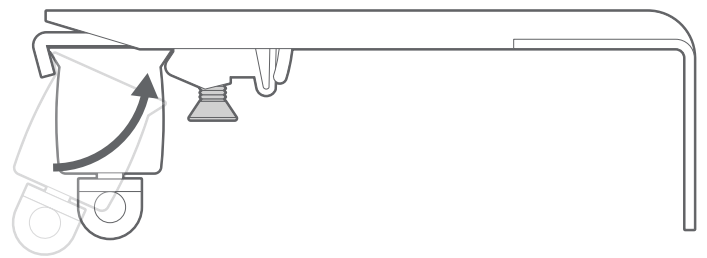


**Face Fix Bracket**

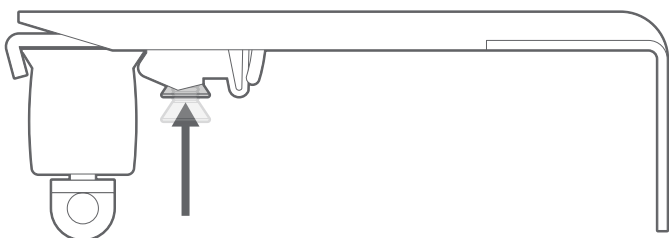
Use three screws to fix each bracket onto the facing surface (a wall or window frame). Space out the brackets evenly as above.



Locate the front lip of the curtain headrail into the front hook of the bracket.



Rotate the headrail so that the back lip slots into the locking part of the bracket, then tighten the bracket screw to secure the rail in place.



Tighten the locking screw in the bracket to lock the rail in place.

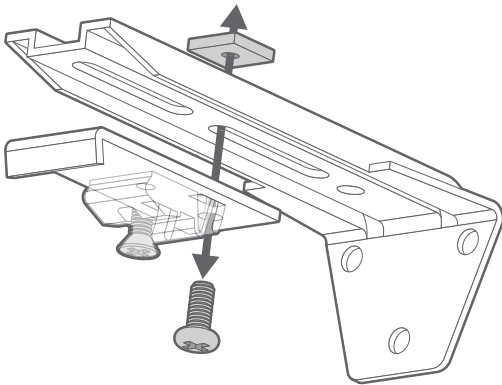
**Top-Tip:**

The depth of the bracket is adjustable, allowing the track to be closer to or further from the fixing surface. Loosen the screw at the back of the top section, slide the section backwards or forwards to adjust, then tighten the screw to lock.

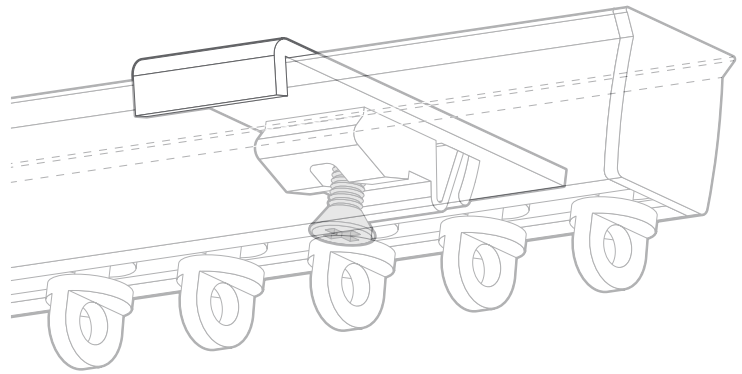


**Installing the brackets and fitting the rail**

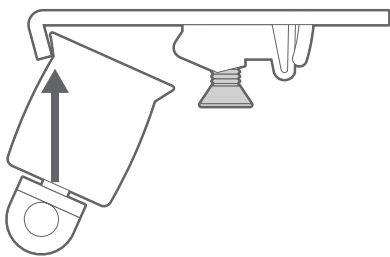
**TopFix Bracket**



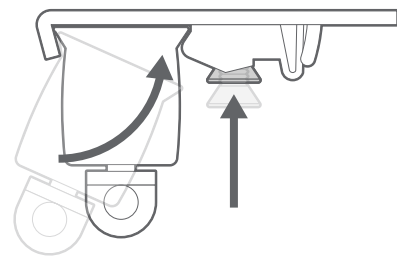
Detach the top fix section of the bracket from the L-shaped face fix section.



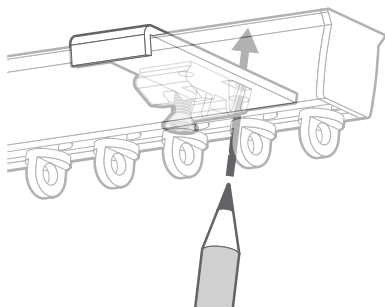
Clip the brackets onto the rail, spaced out as per page 1.



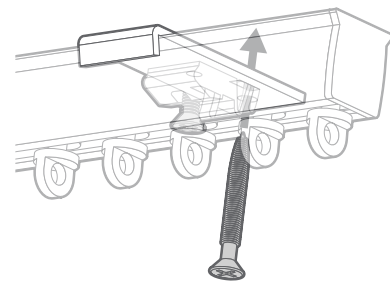
To do so, locate the front lip of the curtain headrail into the front hook of the bracket.



Rotate the headrail so that the back lip slots into the locking part of the bracket, then tighten the bracket screw to secure the rail in place.



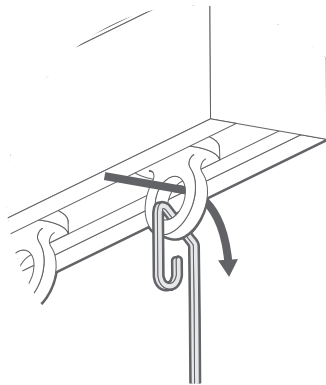
Next, hold the rail up to the fitting surface and mark out the screw holes with a pencil.



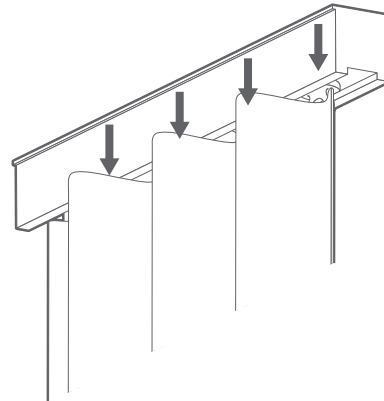
Drill a hole at each mark and insert rawl plugs. Then, hold the rail and brackets up and screw the brackets into place. Use a single screw for each bracket, through the rearmost screwhole.

**Hanging your curtains**

**2**



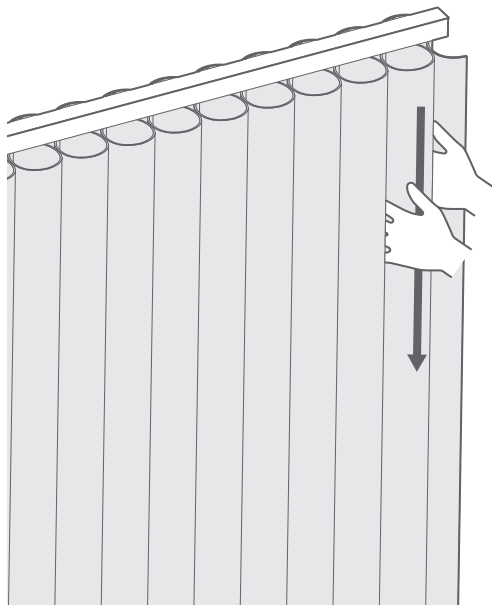
Insert the hooks into the plastic eyelets in the headrail.



Continue until all of the hooks are inserted, then enjoy your beautiful new curtains!

**Dressing your curtains**

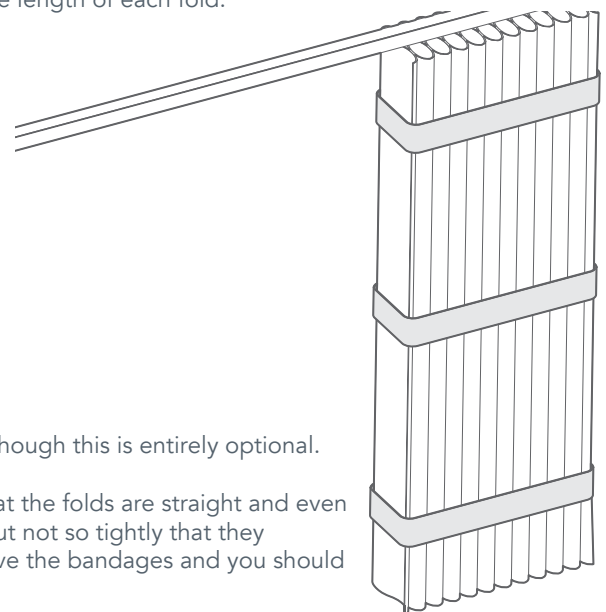
**3**



As curtains are a soft fabric product, a little dressing is sometimes required to finish the installation perfectly.

'Stack' the curtains over to the sides and check that the folds are all even in size and shape.

Starting from the outside edge, work from the top downwards and run your hands firmly down the length of each fold.



For a really professional finish, you can even 'bandage' the curtains, though this is entirely optional.

Wrap several runs of spare fabric around the curtains, making sure that the folds are straight and even as you do so - wrap them tightly enough to hold the folds in place, but not so tightly that they squeeze the fabric. Leave them bandaged for 2 or 3 days, then remove the bandages and you should find the folds are perfect.

**Top-Tip:**

When you first unpack your curtains they may be quite creased - this is normal, as they've been folded and packed for transit. These creases will hang out over time and we recommend leaving them to do so. If you have access to an upright steamer though, you can try lightly steaming the fabric (on a low setting) to encourage those creases to drop out faster.