



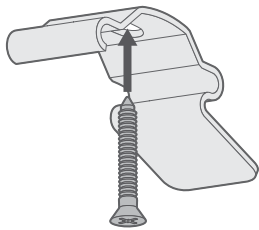
We've made a handy video version of this fitting guide, just click the play button to view it.

If you prefer to print the instructions or simply to follow step-by-step, just keep reading.

Fitting the brackets

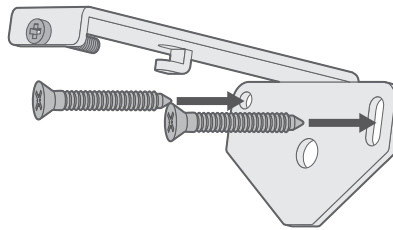
1

There are two types of brackets for vertical blinds, each of which offers a different method of installation:



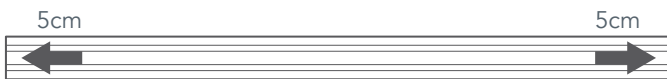
Top-Fixing

Use the single hole in the top of the bracket to fix to the lintel (the 'ceiling' of the recess).

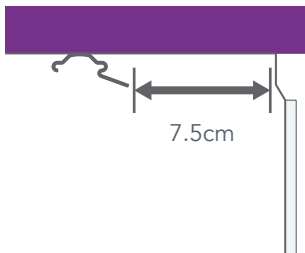


Face-Fixing

Use two screws through the back plate to mount onto a facing surface (a wall or window frame).



Note that the position of the outermost brackets should be at least 5cm away from the ends of the rail, with any other brackets evenly distributed across the width.



If you're using top-fix brackets, make sure that you mount them at least 7.5cm in front of either the window frame, or any protruding vents or handles, if there are any. This allows space for the louvres to turn open and closed.

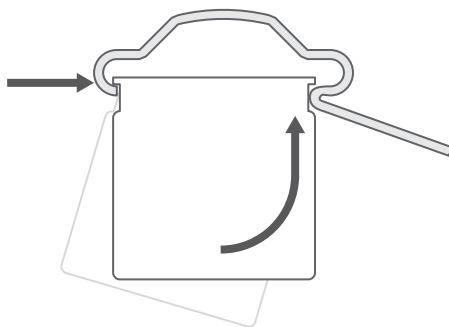
Fitting the blind

2

Top-Fixing

Situate the front lip of the headrail into the front of the bracket.

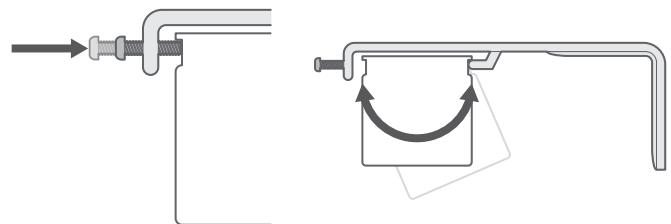
Lift the back of the headrail and push up firmly to secure the back of the rail into the bracket.



Face-Fixing

Situate the back lip of the headrail into the back hook of the bracket.

Lift the front of the headrail so it's level, then tighten the screw in the front of the bracket to secure the rail in place.



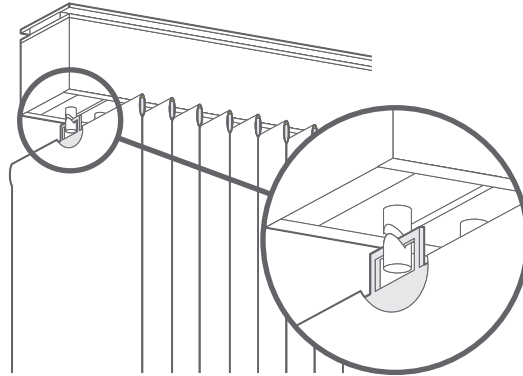
Hanging the louvres

Top Tip



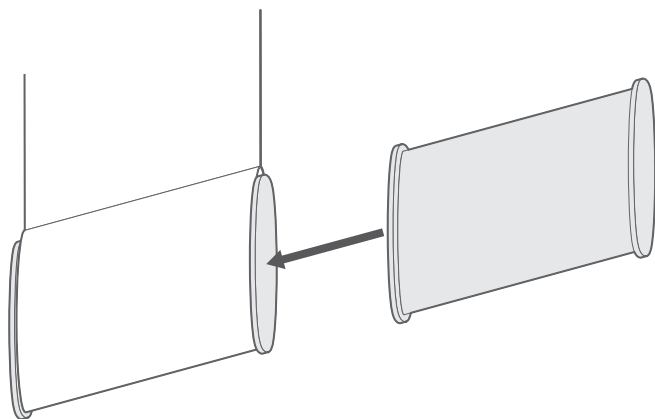
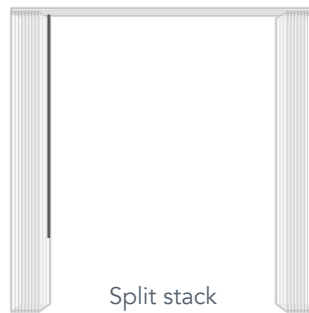
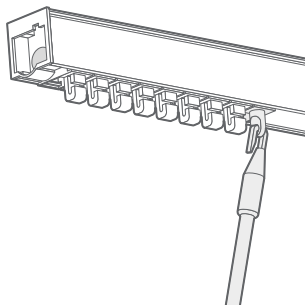
Before hooking the louvres on the rail, use the control wand to turn the hooks so that they all face side on. This makes it far quicker to hook the louvres on and also ensures that the louvres will not clash when you first use the blind.

Hook the louvres onto the rail.



Hook the control wand onto the eyelet at the end of the hooks.

Note that the control wand will be located according to which side you chose to 'stack' the blind on. Most blinds will have a single wand, but wider blinds provided with two headrails will comprised of one left-stack blind and one right-stack blind, so there will be two wands in the centre.



Finally, slide the weights into the pockets at the bottom of the louvres.