



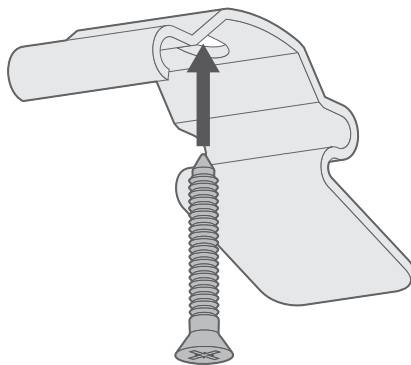
We've made a handy video version of this fitting guide, just click the play button to view it.

If you prefer to print the instructions or simply to follow step-by-step, just keep reading.

Fitting the brackets

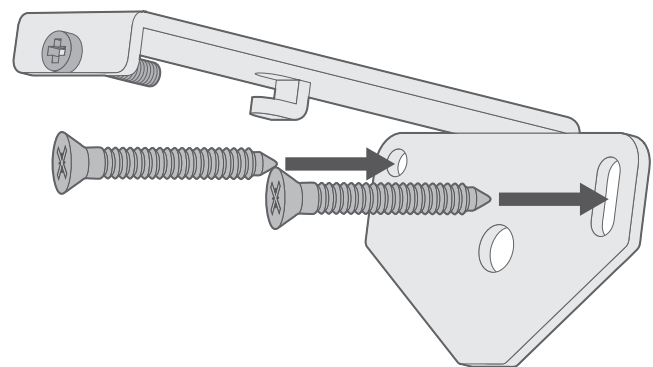
1

There are two types of brackets for vertical blinds, each of which offers a different method of installation:



Top-Fixing

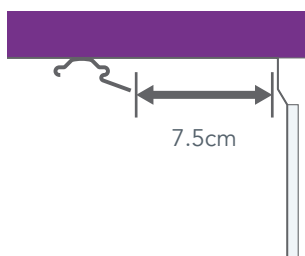
Use the single hole in the top of the bracket to fix to the lintel (the 'ceiling' of the recess).



Face-Fixing

Use two screws through the back plate to mount onto a facing surface (a wall or window frame)

Note that the position of the outermost brackets should be at least 5cm away from the ends of the rail, with any other brackets evenly distributed across the width.



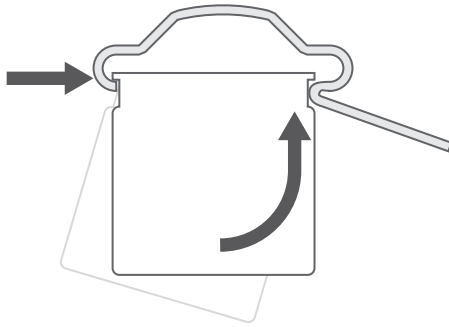
If you're using top-fix brackets, make sure that you mount them at least 7.5cm in front of either the window frame, or any protruding vents or handles, if there are any. This allows space for the louvres to turn open and closed.

Fitting the blind

Top-Fixing

Situate the front lip of the headrail into the front of the bracket.

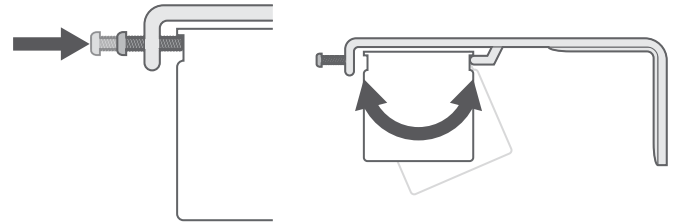
Lift the back of the headrail and push up firmly to secure the back of the rail into the bracket.



Face-Fixing

Situate the back lip of the headrail into the back hook of the bracket.

Lift the front of the headrail so it's level, then tighten the screw in the front of the bracket to secure the rail in place.



Child Safety

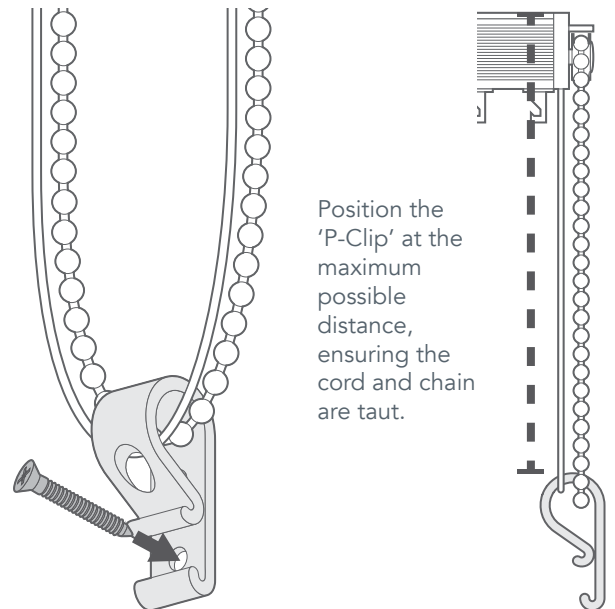
Cord Tensioner

Your vertical blind is fully compliant with the latest safety standards. It has been supplied with a 'P-Clip' tensioning device to keep the cords and the chain child safe.

Slot both the cord and the beaded chain into the 'P-Clip' and secure it to the wall or window frame (if you are fixing to the facing surface then the cord and chain will form a figure of eight, this is fine and will not affect the operation of your blind).

Top Tip

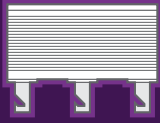
Please note that the P-clip must be installed. The cord must be kept under tension to prevent it from sagging down from the headrail when the blind is drawn open.



Position the 'P-Clip' at the maximum possible distance, ensuring the cord and chain are taut.

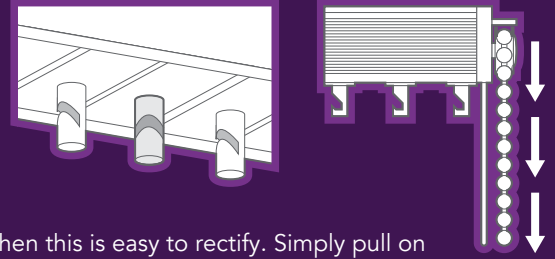
Hanging the louvres

Top Tip



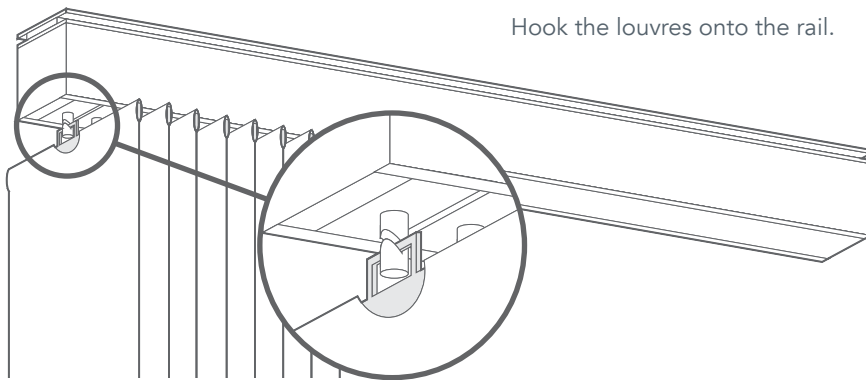
Before hooking the louvres on the rail, use the beaded chain to turn the hooks so that they all face side on. This makes it far quicker to hook the louvres on and also ensures that the louvres will not clash when you first use the blind.

Top Tip

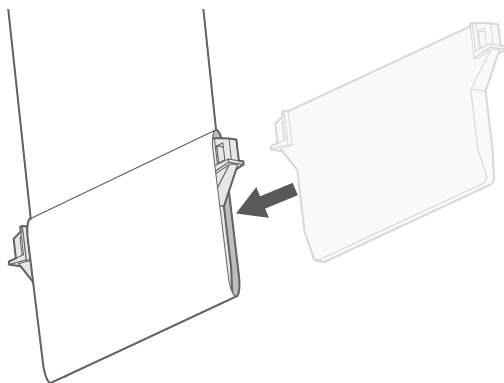


Check that none of the hooks are facing a different direction to the rest.

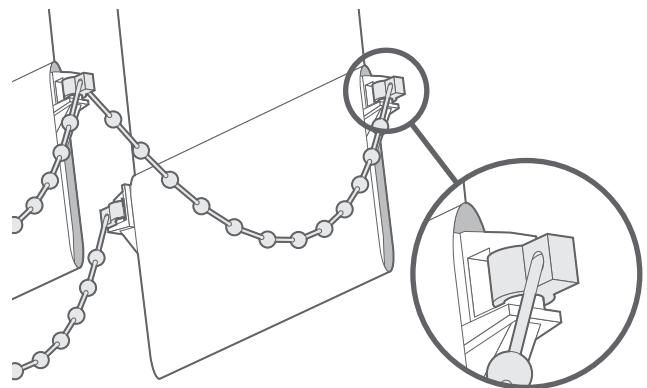
If you find that this is the case, then this is easy to rectify. Simply pull on the beaded chain and keep pulling - don't worry about the resistance and the grinding sound, they're normal when doing this. Eventually the hooks should all turn back into alignment and the chain will run smoothly.



Hook the louvres onto the rail.



Slide the weight into the pocket at the bottom of the louvre.



Clip the stabilising chain onto the weights, one chain will run along the back and the second will run along the front. Any excess clips can be cut away, just snip the cord flush to the last clip attached to a weight.