

Installing Roman Blinds is easy-peasy, we've made sure of it! Our guides will take you step by step through fitting your gorgeous new blinds in no time, and we've even made some handy video guides to accompany them. Choose the guide from the list below that matches the options you've chosen for your Roman Blind.

Standard Roman Blinds

Standard Roman Blinds

- Fitting the brackets
- Fitting the blind

[Page 2](#)

Standard Roman Blinds

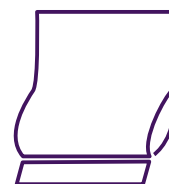
- Child Safety

[Page 3](#)

Standard Roman Blinds

- Operating the blind
- Additional information

[Page 4](#)



Click2Go Roman Blinds

SmartView Electric Roman Blinds

- Installing the battery pack

[Page 5](#)

SmartView Electric Roman Blinds

- Fitting the brackets
- Fitting the blind

[Page 6](#)





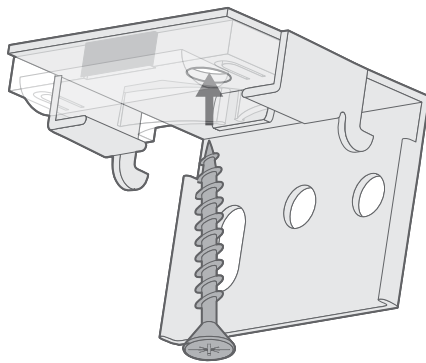
We've made a handy video version of this fitting guide, just click the play button to view it.

If you prefer to print the instructions or simply to follow step-by-step, just keep reading.

Fitting the brackets

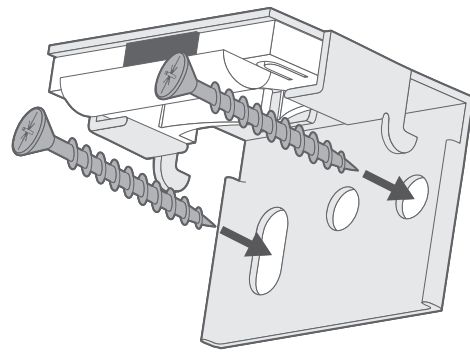
1

The brackets offer two methods of installation:



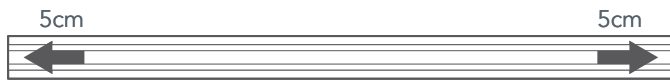
Top-Fixing

Use the single hole in the top of the bracket to fix to the lintel (the 'ceiling' of the recess).



Face-Fixing

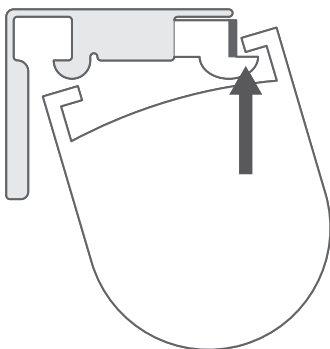
Use two screws through the back plate to mount onto a facing surface (a wall or window frame)



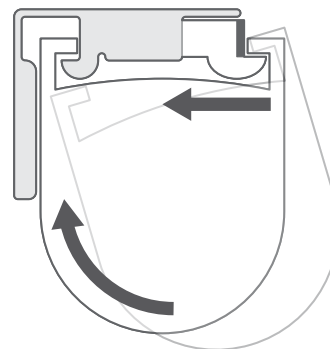
Note that the position of the outermost brackets should be at least 5cm away from the ends of the rail, with any other brackets evenly distributed across the width.

Fitting the blind

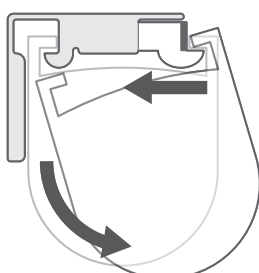
2



Situate the front lip of the headrail into the front of the bracket.




Push the back of the headrail upwards to lock it into the back of the bracket.



To release the blind from the brackets at any point after installing, push firmly against the blind's headrail to disengage it from the front of the bracket. At the same time, twist the back of the headrail downwards to release it from the back.



Child Safety



WARNING

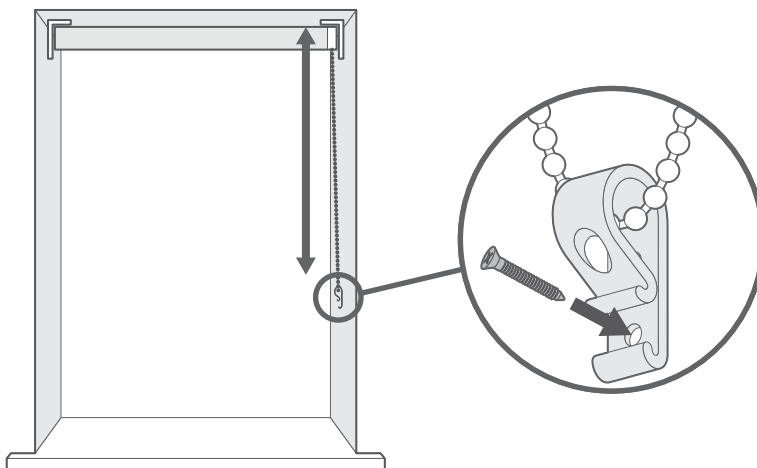
Young children can be strangled by loops in pull cords, chains, tapes and inner cords that operate the product.



To avoid strangulation and entanglement, keep cords out of the reach of young children. Cords may become wrapped around a child's neck.

Move beds, cots and furniture away from window covering cords.

Do not tie cords together. Make sure cords do not twist and create a loop.

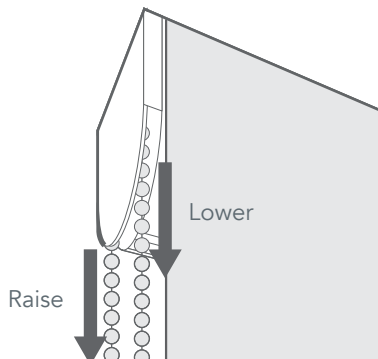


The cord retaining device must be installed at the maximum distance possible from the control mechanism to prevent looped cords from becoming slack.

Place the retaining device on the wall and mark the position of the screw hole(s) with a pencil.

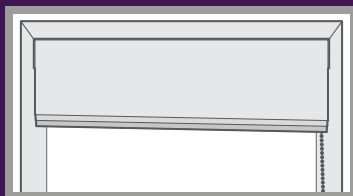
Attach the retaining device to the wall using the fixings provided.

Operating the blind

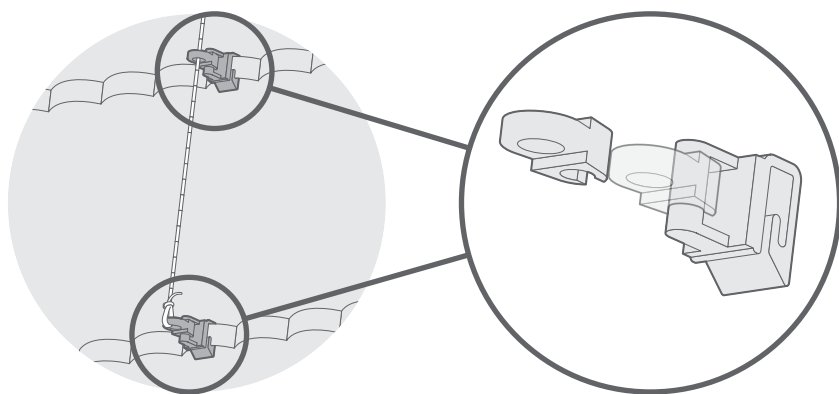


Pull down on the front part of the chain to lower the blind, and pull down on the rear part of the chain to raise the blind.

Top Tip



If you find at any point that the blind has fallen to one side, the likelihood is that this has been caused by a simple mix-up with the controls, in that they may have been pulled the wrong way to either raise or lower, which can cause the cords to roll up unevenly. To fix this, simply use the front of the chain to fully lower the blind, then continue pulling the chain until it raises to the top. The blind should even itself out as you do, and you can prevent the same issue occurring again by making sure the chain is always pulled in the correct direction from that point forward.



At the back, the cords attach to the fabric using clips, which double as a child-safety feature. These clips are in two parts, and can be easily unclipped to separate the cords from the fabric.

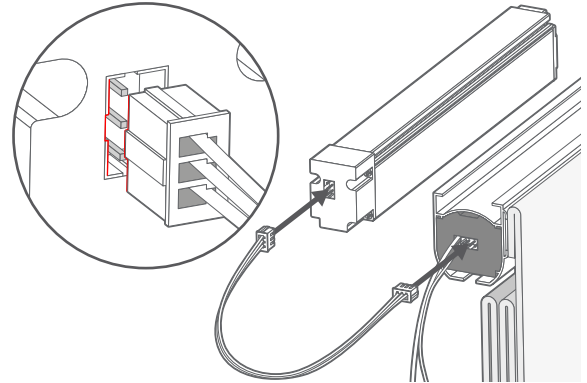
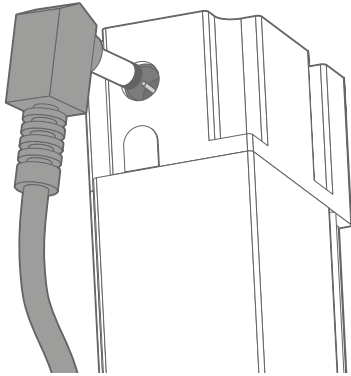


1

Installing the battery pack

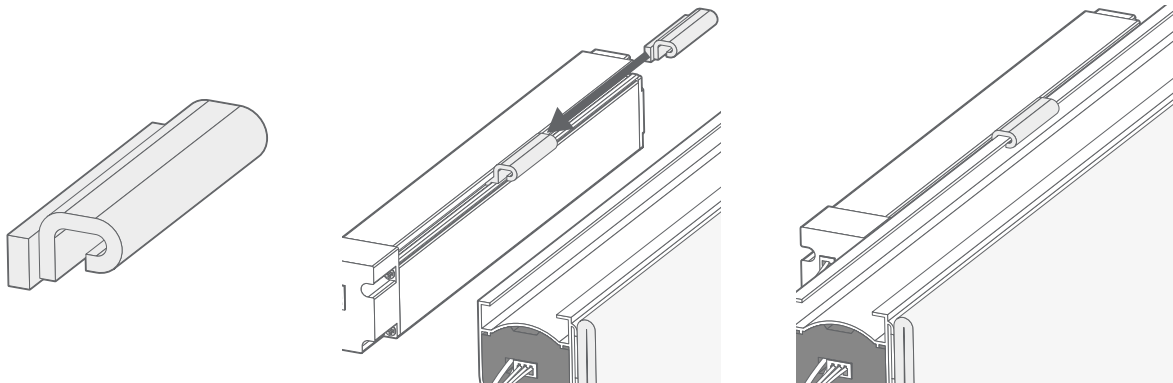
We recommend charging the battery pack before you begin to use the blind, to ensure it starts with a full battery. Use the charger plug included - the LED on the charger plug will turn green when the battery pack is fully charged.

When the battery pack is charged, hook it up to the blind's motor using the motor cable.



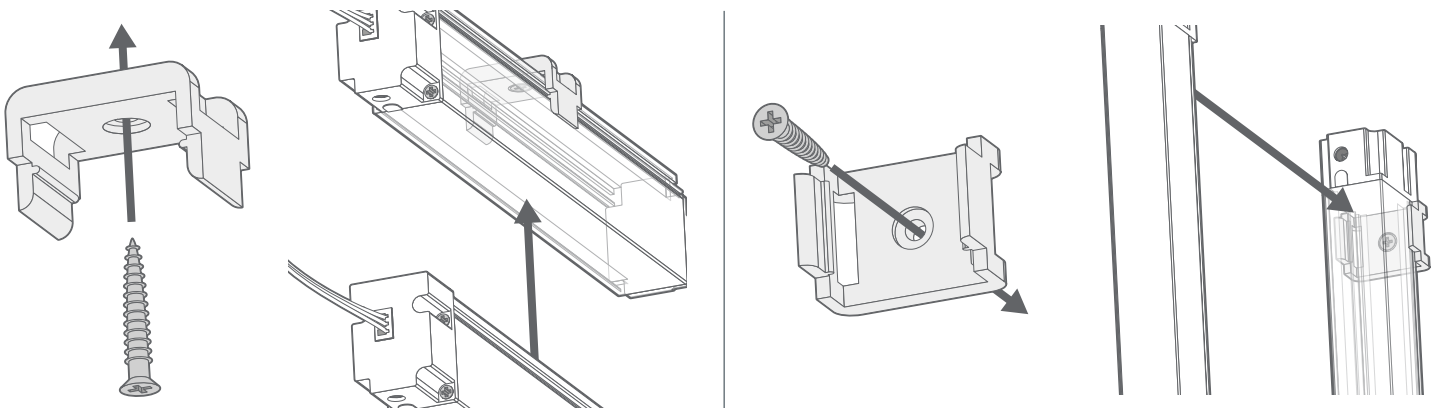
Blinds ordered as 'recess fitting'

Use the 'hook' brackets from the fittings kit to hang the battery pack onto the back of the blind's headrail, as shown.



Blinds ordered as 'exact fitting'

If there is not enough space behind the headrail to hang the battery pack, then it can be fixed to another surface using the 'clip' brackets provided. The clip brackets can be either top-fixed or face-fixed.



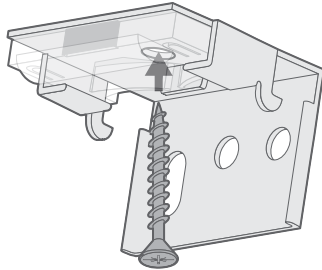
Top-Fixing

Face-Fixing



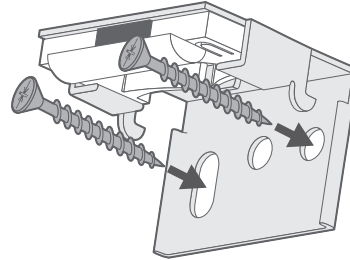
Fitting the brackets

The brackets offer two methods of installation:



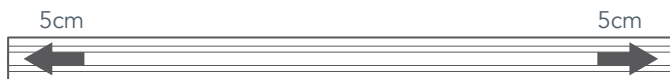
Top-Fixing

Use the single hole in the top of the bracket to fix to the lintel (the 'ceiling' of the recess).



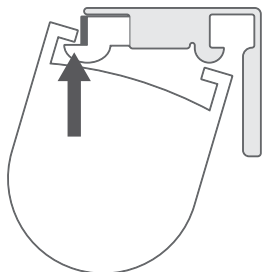
Face-Fixing

Use two screws through the back plate to mount onto a facing surface (a wall or window frame)

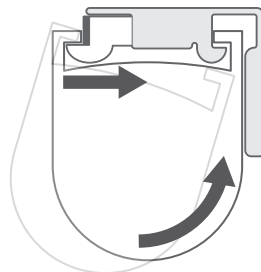


Note that the position of the outermost brackets should be at least 5cm away from the ends of the rail, with any other brackets evenly distributed across the width.

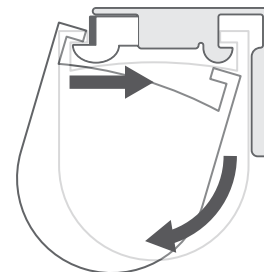
Fitting the blind



Situate the front lip of the headrail into the front of the bracket.



Push the back of the headrail upwards to lock it into the back of the bracket.



To release the blind from the brackets, push firmly against the blind's headrail then, still pushing against it, twist the back of the headrail downwards.



On the front of the swing tag that comes with your blind, you'll find a handy QR code you can scan with your phone. Scan this to download the SmartView app - you'll be setting up your blinds in moments!

Recycle your electrical and electronic devices free at your local recycling centre. To find your nearest centre, visit the [Recycle More](#) website and type in your postcode.

Blinds 2go Ltd is part of the DTS scheme.

