

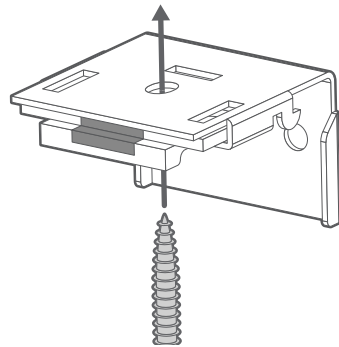
If you upgraded to Click2Go, please skip to page 3.

Fitting the brackets (not applicable for Click2Go Roman Blinds)

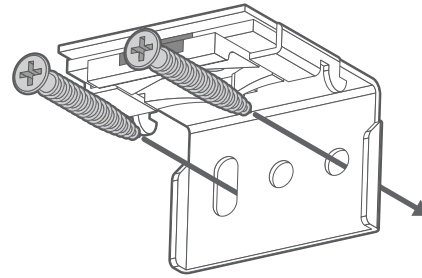
1

The brackets offer two methods of installation:

Top-Fixing



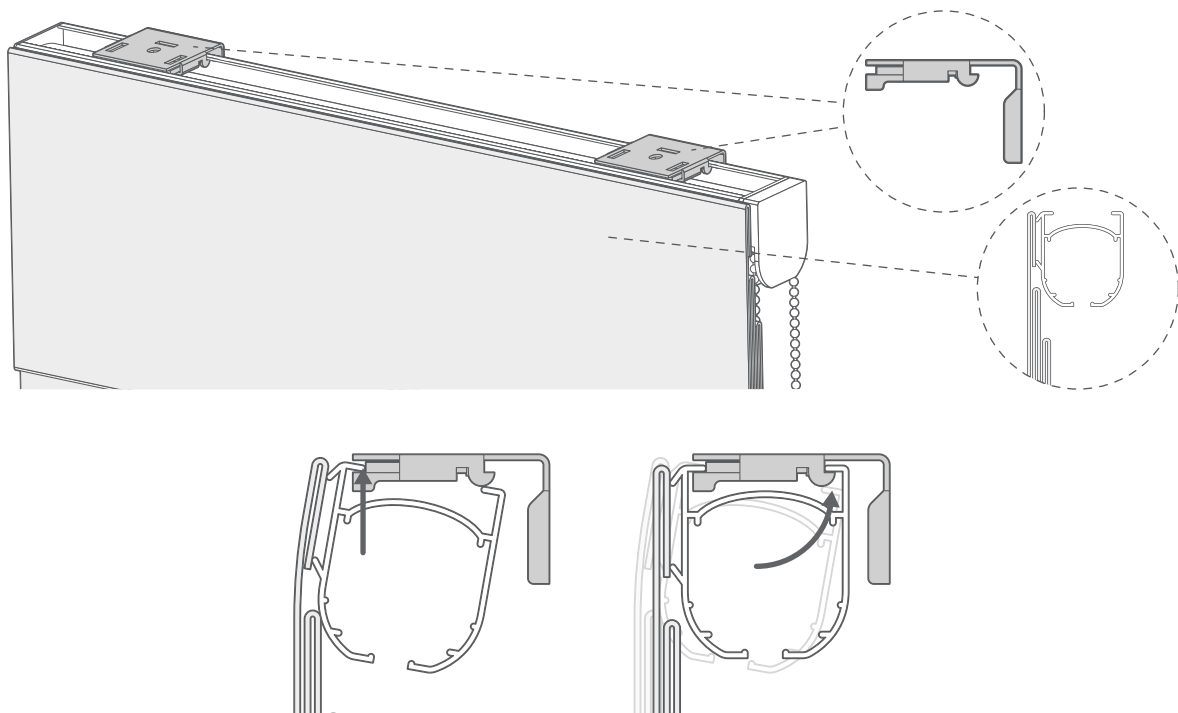
Face-Fixing



Note that the position of the outermost brackets should be at least 5cm away from the ends of the rail, with any other brackets evenly distributed across the width.

Fitting the blind (not applicable for Click2Go Roman Blinds)

2

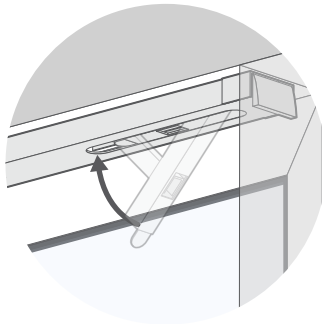


Hook the front lip of the headrail onto the front 'hook' of the bracket. Then push the rail against the bracket and raise the back up until the rear lip of the headrail snaps onto the rear hook of the bracket.

If you have a standard or SmartView Roman Blind, please skip to page 4.

If you upgraded to a Click2Go™ rail

The brackets will be attached to the Click2Go™ rail for you already; you'll simply need to fit the rail into the recess, then fit the blind into the pre-attached brackets.

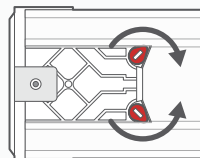


Top Tip

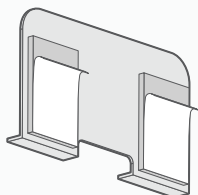
Make sure that the lever is loose and hanging down from the rail, and that the grip pad is flush with the end of the rail, before trying to place the rail into the recess. If the lever is pushed in and the pad extended, the rail will be too tight to fit in the recess.

Hold the Click2Go™ rail up against the top of the recess, then push the lever firmly upwards until the rail snaps into place. If the rail is not quite tight enough then this can be easily adjusted:

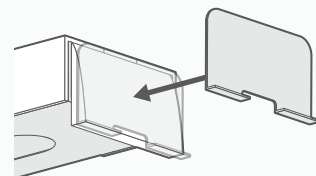
OPTIONAL



At the end of the rail opposite to the lever there is an adjustment block that allows you to fine-tune the fitting of the rail. Use a flat-head screwdriver to twist the small red plugs in toward the centre of the rail. Slide the block out of the rail by a few millimetres, then twist the red plugs back into their original position to fix the block in place. **Make small adjustments only**, repeating as necessary for a tight fit.



OPTIONAL

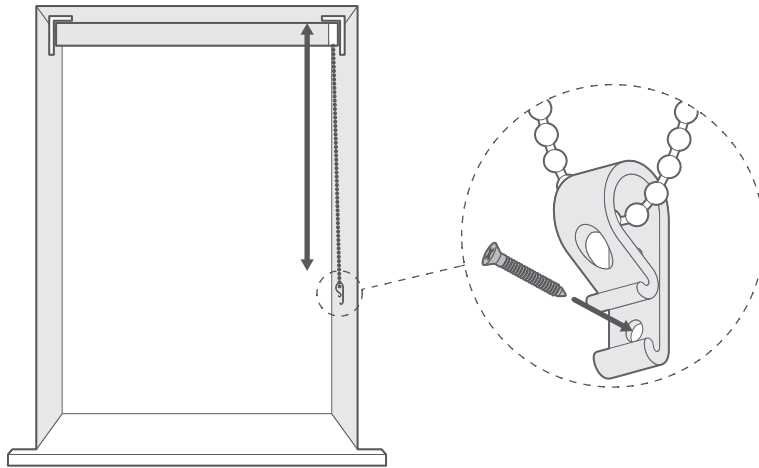


Friction plates are provided with the fittings, but these are only necessary if you find that the Click2Go™ rail slips against the wall of your recess once the blind is fitted.

To fit them, peel the covers from the sticky pads on the back, then stick one to each end of the Click2Go™ rail, as shown.

Child Safety

Safety cleat (not applicable for SmartView Roman Blinds)



The cord retaining device must be installed at the maximum distance possible from the control mechanism to prevent looped cords from becoming slack.

Place the retaining device on the wall and mark the position of the screw hole(s) with a pencil.

Attach the retaining device to the wall using the fixings provided.



Young children can be strangled by loops in pull cords, chains, tapes and inner cords that operate the product.

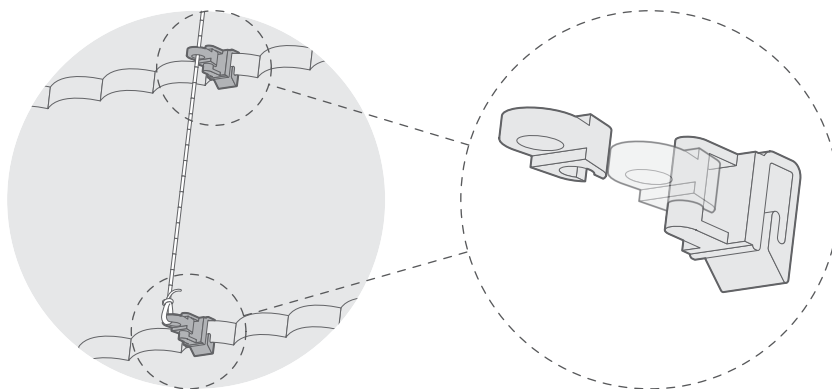


To avoid strangulation and entanglement, keep cords out of the reach of young children. Cords may become wrapped around a child's neck.

Move beds, cots and furniture away from window covering cords.

Do not tie cords together. Make sure cords do not twist and create a loop.

Cord retaining clips (applicable to all Roman Blinds)

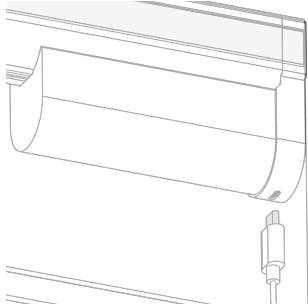


The cords that raise and lower the fabric are attached to the back of the fabric using two-piece clips. These are a child-safety feature and are designed to separate if anything gets caught in the cords at the back.

These can also be easily unclipped if you need to detach the fabric, to take it to a dry cleaner for example.

Additional information

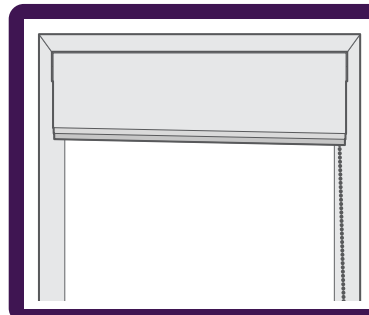
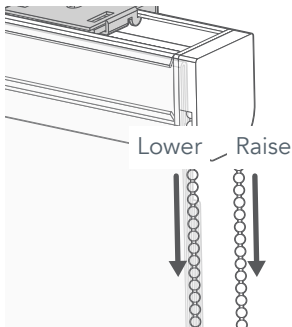
SmartView Electric Roman Blinds



We recommend plugging in the motor to allow it to fully charge before use. Plug the charging cable (included) into the motor charging port (behind the fabric) and allow to charge until the LED on the charger plug turns green.

On the front of the swing tag that comes with your blind, you'll find a handy QR code you can scan with your phone. Scan this to download the SmartView app, and the app will guide you through the rest - you'll be setting up your blinds in moments!

Operating your blind (not applicable for SmartView Roman Blinds)



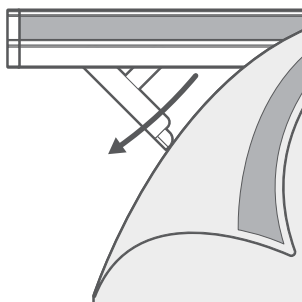
Top Tip

If you find at any point that the blind has fallen to one side, this is usually caused by a simple mix-up with the controls. To fix this, simply use the front of the chain to fully lower the blind, then continue pulling the chain until it raises to the top. The blind should even itself out as you do, and you can prevent the same issue recurring by making sure the chain is always pulled in the correct direction.

Pull down on the front part of the chain to lower the blind, and pull down on the rear part of the chain to raise the blind.

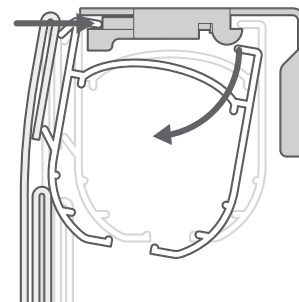
Taking the blind down

Click2Go Blinds



Peel the fabric away from the rail to expose the lever. Using a screwdriver, gently pry the lever downward until you can fully loosen it - make sure you're holding the blind steady as you do this, and that your hand is not close to the lever.

Standard & SmartView Blinds



Push the rail back against the brackets and at the same time gently 'twist' the rail so that you're pulling the back of it downwards. This will unhook the rail from the rear hook on the bracket and allow you to remove the blind.

