



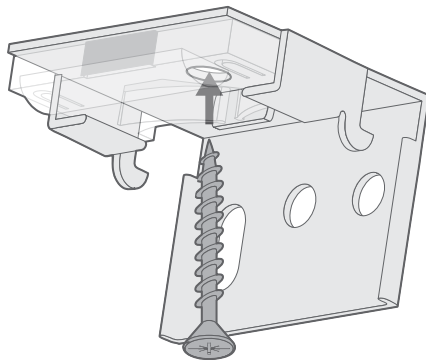
We've made a handy video version of this fitting guide, just click the play button to view it.

If you prefer to print the instructions or simply to follow step-by-step, just keep reading.

Fitting the brackets

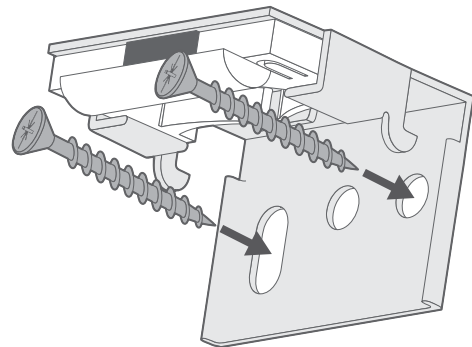
1

The brackets offer two methods of installation:



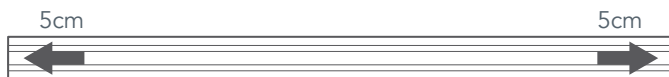
Top-Fixing

Use the single hole in the top of the bracket to fix to the lintel (the 'ceiling' of the recess).



Face-Fixing

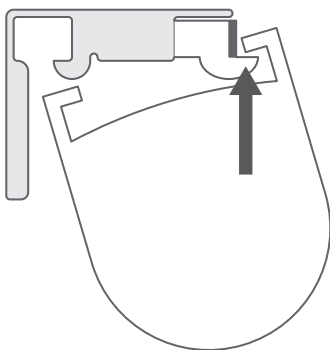
Use two screws through the back plate to mount onto a facing surface (a wall or window frame)



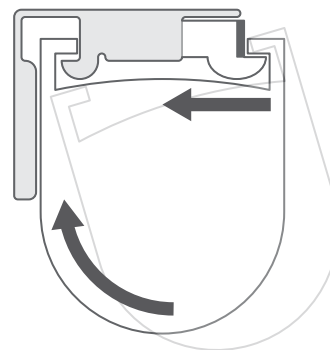
Note that the position of the outermost brackets should be at least 5cm away from the ends of the rail, with any other brackets evenly distributed across the width.

Fitting the blind

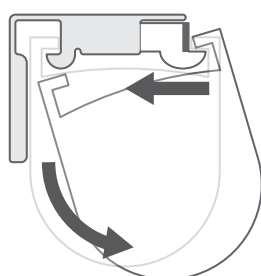
2



Situate the front lip of the headrail into the front of the bracket.



Push the back of the headrail upwards to lock it into the back of the bracket.

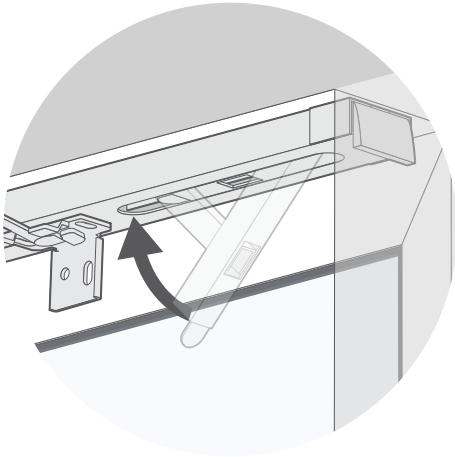


To release the blind from the brackets at any point after installing, push firmly against the blind's headrail to disengage it from the front of the bracket. At the same time, twist the back of the headrail downwards to release it from the back.

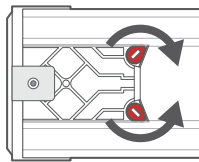
If you upgraded to a Click2Go™ rail



We've even made a handy video guide for fitting your blind with a Click2Go™ rail, check it out here or keep reading...

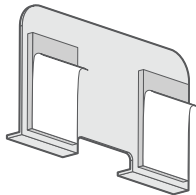


Hold the Click2Go™ rail up against the top of the recess, then push the lever firmly upwards until the rail snaps into place. If the rail is a little too tight, or after fitting you find that it's too loose, then this can be easily adjusted:

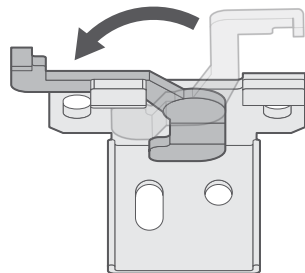
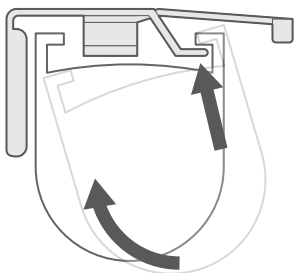
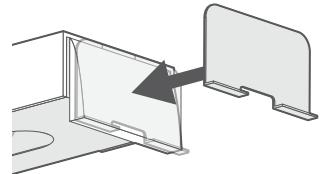


At the end of the rail opposite to the lever there is an adjustment block that allows you to fine-tune the fitting of the rail. Use a flat-head screwdriver to twist the small red plugs **in** toward the centre of the rail. Slide the block out of the rail by a few millimetres to tighten the fitting, or push it back into the rail to loosen. Then, twist the red plugs back into their original position to fix the block in place. **Make small adjustments only**, repeating as necessary for a tight fit.

Friction plates are provided with the fittings, but these are only necessary if you find that the Click2Go™ rail slips against the wall of your recess once the blind is fitted.



To fit them, peel the covers from the sticky pads on the back, then stick one to each end of the Click2Go™ rail, as shown.

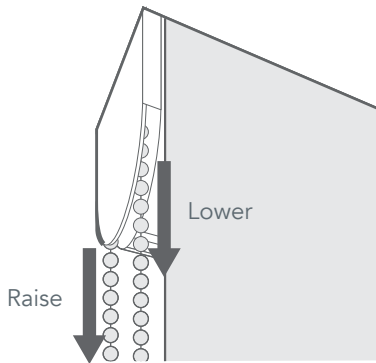


The brackets will be pre-fitted to the Click2Go™ rail, so you'll just need to fit the blind into these brackets.

Hook the front lip of the headrail over the protruding hooks at the front of the bracket, then raise the back of the headrail so that it's level. Holding it in this position, swing the swing-arm over and press it firmly against the headrail to lock it in place.

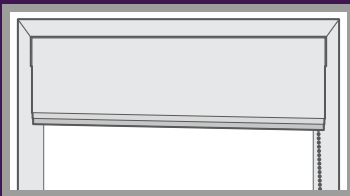
Operating the blind

3



Pull down on the front part of the chain to lower the blind, and pull down on the rear part of the chain to raise the blind.

Top Tip



If you find at any point that the blind has fallen to one side, the likelihood is that this has been caused by a simple mix-up with the controls, in that they may have been pulled the wrong way to either raise or lower, which can cause the cords to roll up unevenly. To fix this, simply use the front of the chain to fully lower the blind, then continue pulling the chain until it raises to the top. The blind should even itself out as you do, and you can prevent the same issue occurring again by making sure the chain is always pulled in the correct direction from that point forward.



Young children can be strangled by loops in pull cords, chains, tapes and inner cords that operate the product.



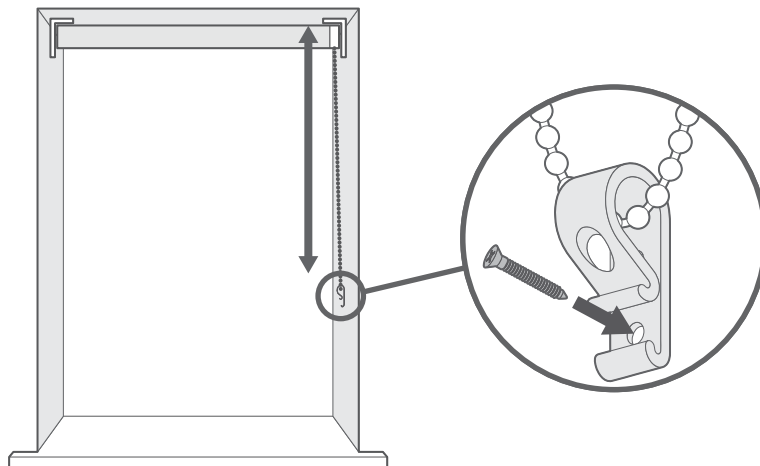
To avoid strangulation and entanglement, keep cords out of the reach of young children. Cords may become wrapped around a child's neck.

Move beds, cots and furniture away from window covering cords.

Do not tie cords together. Make sure cords do not twist and create a loop.

Child Safety

4



The cord retaining device must be installed at the maximum distance possible from the control mechanism to prevent looped cords from becoming slack.

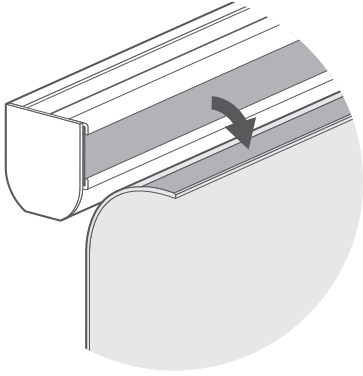
Place the retaining device on the wall and mark the position of the screw hole(s) with a pencil.

Attach the retaining device to the wall using the fixings provided.

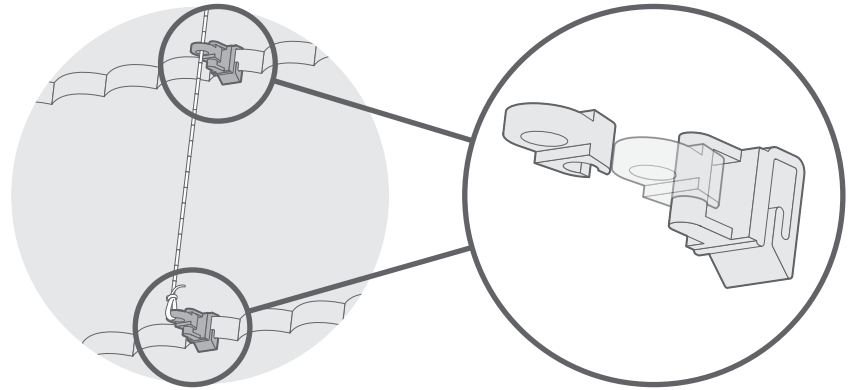
Additional Information

Removing the fabric for cleaning

If you need to remove the fabric, to take it to a dry-cleaner for example, then that's easy.



The fabric attaches at the front with velcro, simply peel the fabric away from the headrail.



At the back, the cords attach to the fabric using clips, which double as a child-safety feature. These clips are in two parts, and can be easily unclipped to separate the cords from the fabric.