

If you upgraded to our Twist2Go system, skip to page 3.

Fitting the brackets

1

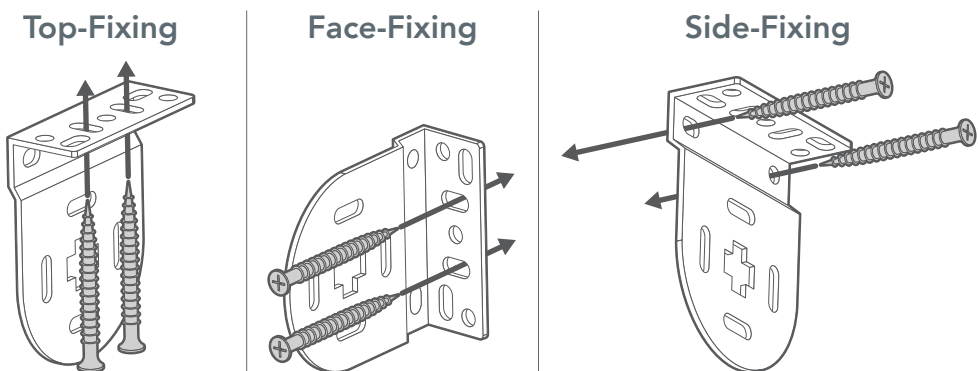
Standard finish

The brackets offer three methods of installation:

Top Tip

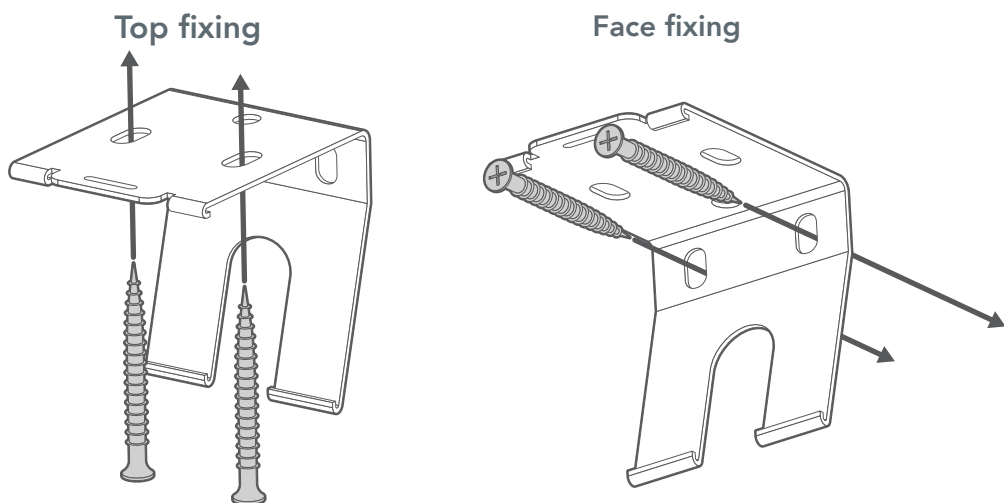


Top-fixing or face-fixing are recommended for most installations, whereas side-fixing is only recommended if the width you gave us was taken right at the top of the recess.



Cassette finish

These brackets also offer two methods of installation:

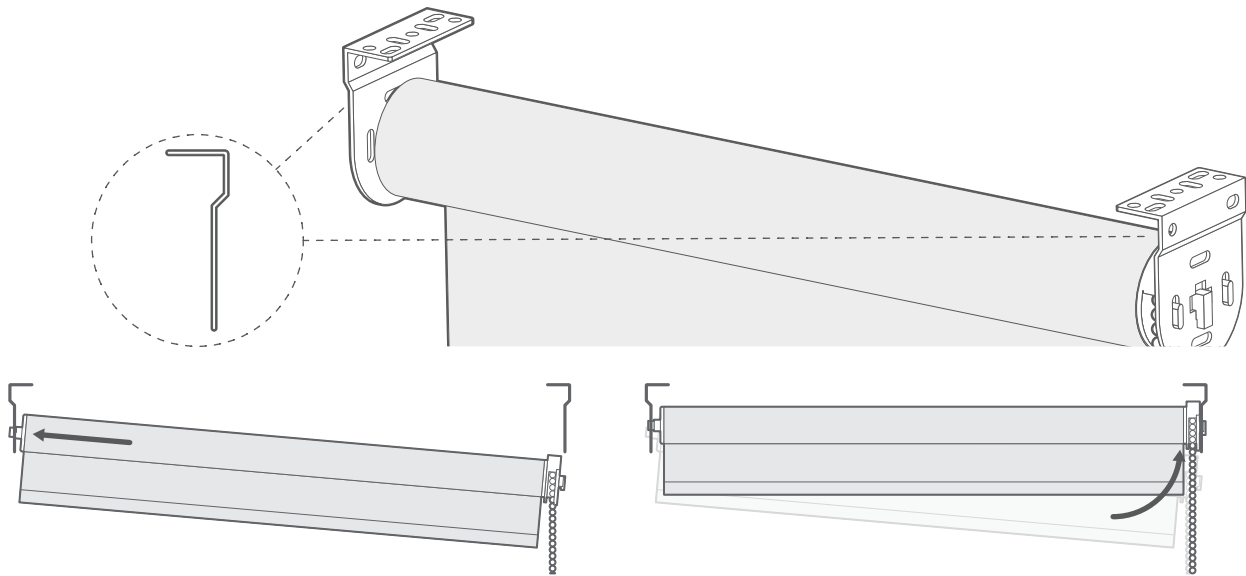


For cassette finish, note that the position of the outermost brackets should be at least 5cm away from the ends of the rail, with any other brackets evenly distributed across the width.

Fitting the blind

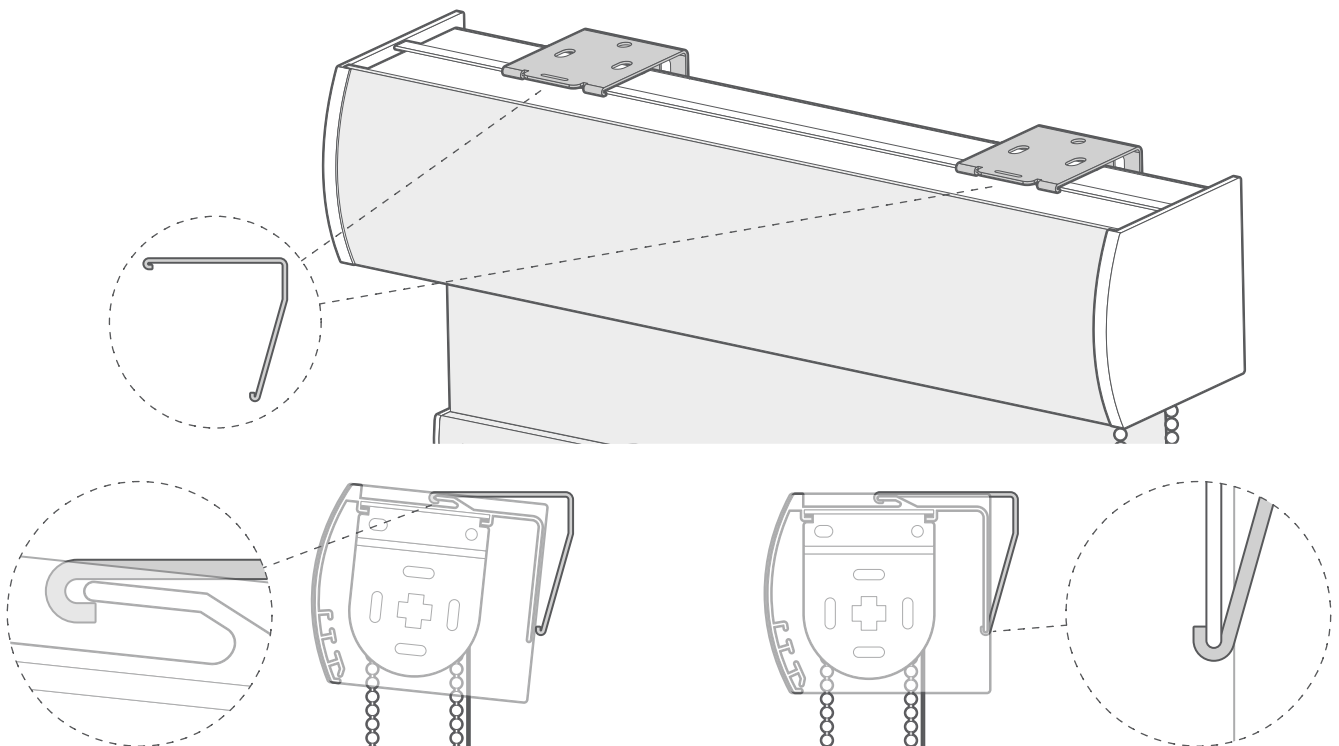
2

Standard finish



Locate the pin-end (the opposite end to the controls) of the blind into the central hole in the corresponding bracket. Lift the control end of the blind and slot the rectangular 'lugs' into the corresponding slots on the bracket.

Cassette finish



To fit the cassette into the bracket, hold the cassette at an angle and locate the central 'lip' along the top of the cassette, onto the front 'hook' of the bracket.

Now raise the back of the cassette up and push up firmly into the brackets until you hear them 'snap' into place.

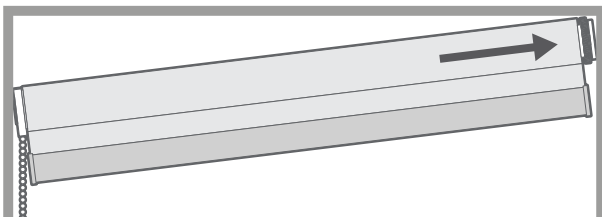
Fitting a Twist2Go Roller Blind



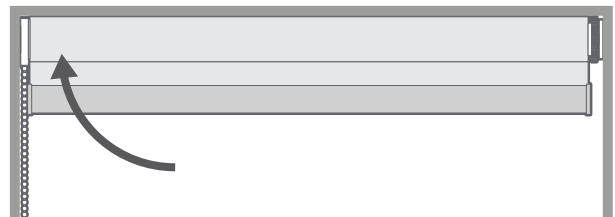
We've made a handy video version of this section!

If you prefer to print the instructions or simply to follow step-by-step, just keep reading.

Insert the blind into the recess at an angle and push the tightener against the wall.

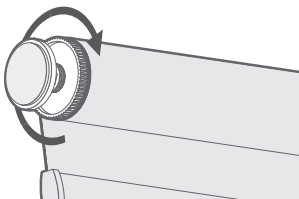


Lift the control end of the blind until level and release pressure, the blind will hold itself in place.

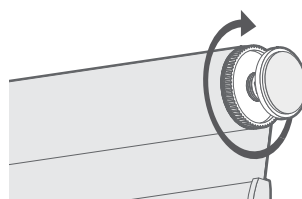


Make adjustments to the position of the blind so that it is straight and level, before locking it in place.

For smaller blinds:



Tightener on the left



Tightener on the right

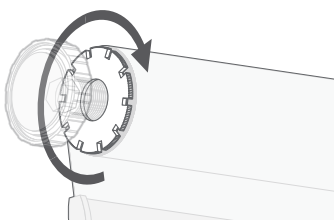
Hold the blind securely in place and turn the tightening wheel to tighten the blind in place.

If the tightener is on the left side of the blind turn it towards you. If it's on the right, turn it away from you.

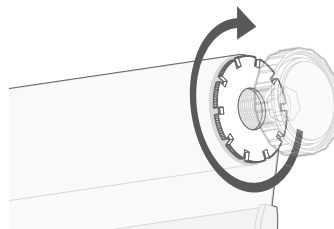
Top Tip

Make sure that you tighten the wheel as much as you possibly can so that the blind remains secure and does not slip. If you find that the 'foot' of the mechanism that presses against the wall is spinning as you try to tighten, take the blind out of the window, tighten it a little, then push it back into place and try again.

For larger blinds:



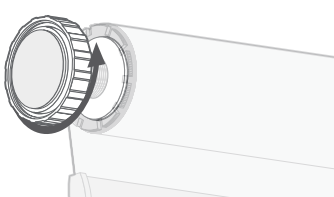
Tightener on the left



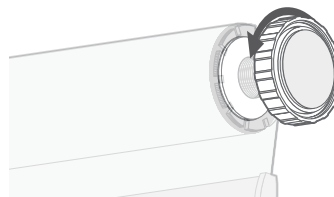
Tightener on the right

Hold the blind securely in place and turn the tightening wheel to tighten the blind in place.

If the tightener is on the left side of the blind turn it towards you. If it's on the right, turn it away from you.



cap on the left




Cap on the right

Once the blind is secured in place, turn the end cap until it locks against the tightening wheel. This will lock the tightening wheel in place.

If the cap is on the left side of the blind turn it away from you. If it's on the right, turn it towards you.

Child Safety



WARNING

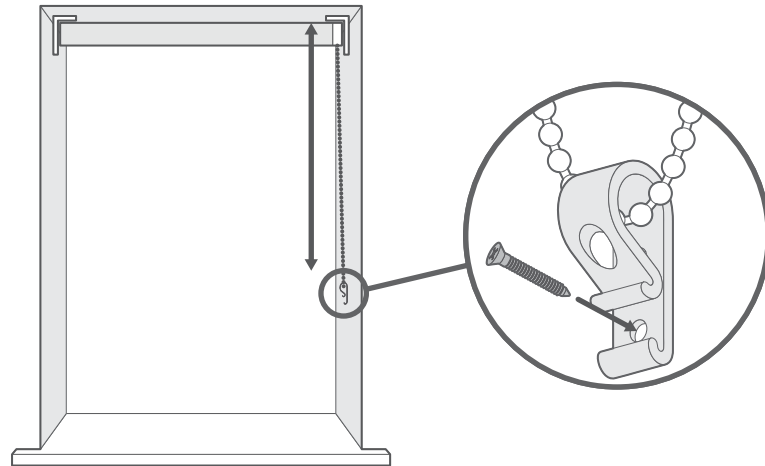
Young children can be strangled by loops in pull cords, chains, tapes and inner cords that operate the product.



To avoid strangulation and entanglement, keep cords out of the reach of young children. Cords may become wrapped around a child's neck.

Move beds, cots and furniture away from window covering cords.

Do not tie cords together. Make sure cords do not twist and create a loop.



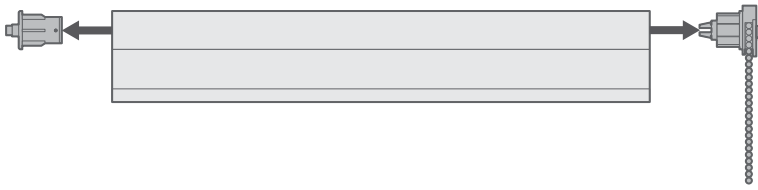
The cord retaining device must be installed at the maximum distance possible from the control mechanism to prevent looped cords from becoming slack.

Place the retaining device on the wall and mark the position of the screw hole(s) with a pencil.

Attach the retaining device to the wall using the fixings provided.

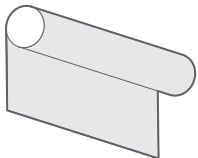
Additional Information

Control location (not applicable for cassette finish)



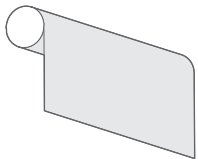
We will have positioned the controls where you requested during the ordering process. However if you decide to swap the side that they are on, direction of the roll or need to trim the blind further, the controls can be removed by simply unplugging them from the tube. This should be done prior to fixing the brackets.

Reverse rolling the fabric (not applicable for cassette finish)



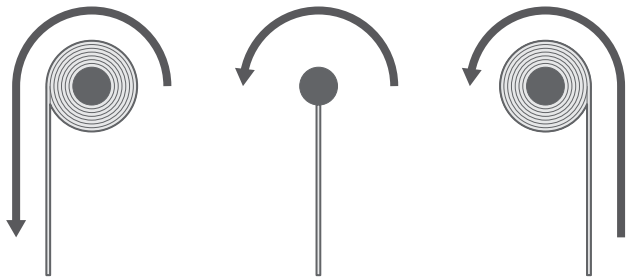
Standard

Roller blinds can have the fabric rolled onto the tube in two directions. The first is referred to as a 'standard' roll. This will place the fabric closest to the window or wall so that it comes down at the back of the tube. This is typically used with blackout blinds when they are mounted outside of a recess, the standard roll meaning that there is less light leakage.



Reverse

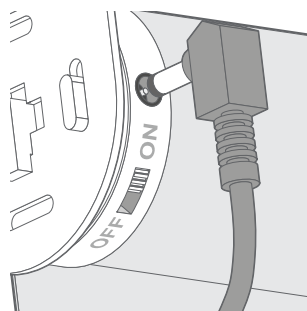
The second method is referred to as a 'reverse' roll, which places the fabric so that it comes down at the front of the tube, effectively hiding the roll. This method will allow clearance behind the fabric, for window handles and other obstructions, if you're mounting the blind inside a recess.



If you wish to change the roll method then it's easy; simply pull the back of the chain to lower the blind, and continue pulling until the metal tube is exposed. Keep going and the blind will begin to raise, with the fabric now rolling up over the front of the roller tube. Note that **this will reverse the direction you must pull the chain for raising and lowering the blind** (you'll now use the front of the chain to lower and the back of the chain to raise).

SmartView Roller Blinds

Once your blind is installed we recommend plugging in the motor to allow it to fully charge before use. Plug the charging cable (included) into the motor charging port and allow to charge until the LED on the charger plug turns green.



On the front of the swing tag that comes with your blind, you'll find a handy QR code you can scan with your phone. Scan this to download the SmartView app - you'll be setting up your blinds in moments!



Recycle your electrical and electronic devices free at your local recycling centre. To find your nearest centre, visit the [Recycle More](#) website and type in your postcode.

Blinds 2go Ltd is part of the DTS scheme.