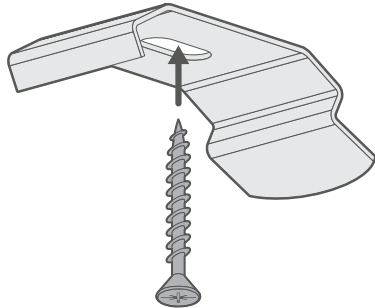


**Fitting the brackets**

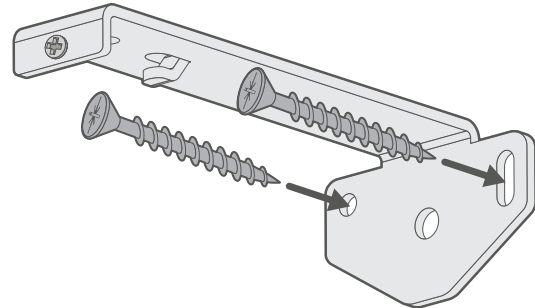
**1**

The brackets offer two methods of installation:



**Top-Fixing**

Where the brackets are  
screwed into the lintel (or  
'ceiling' of the recess)

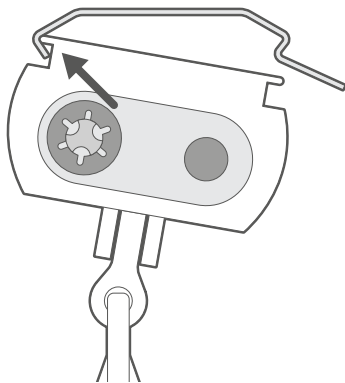


**Face-Fixing**

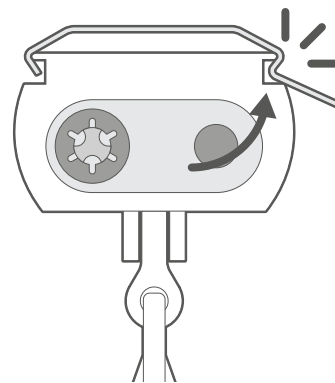
Where the brackets are  
screwed onto a facing surface  
(a wall or window frame)

**Fitting the track**

**2**

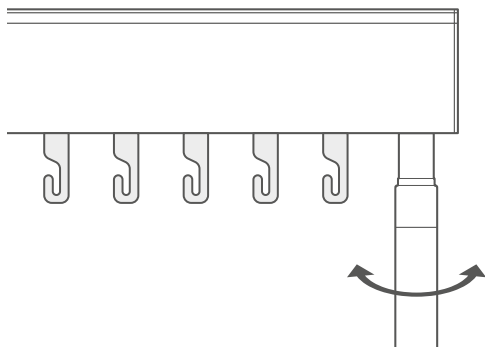


Rest the front lip of  
the headrail in the  
front lip of the  
bracket.



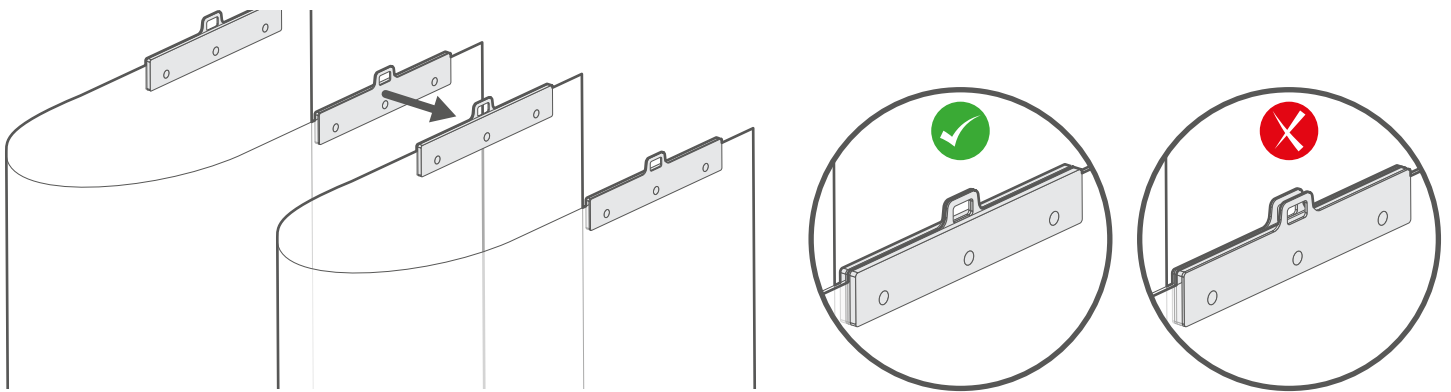
Then twist the back of  
the headrail upwards  
until it snaps into  
place in the rear hook  
of the bracket.

**Hanging the fabric**



Twist the control wand to turn the hooks so that their 'open' part is facing into the room.

Fold each louvre into a 'C' shape and pair them together - they should be paired so that the 'flat' side of their hangers rest flush together.



Hook the louvres onto the rail as shown, with each pair of hangers sharing a hook.

