



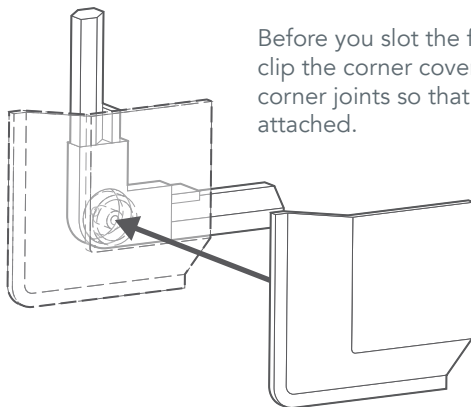
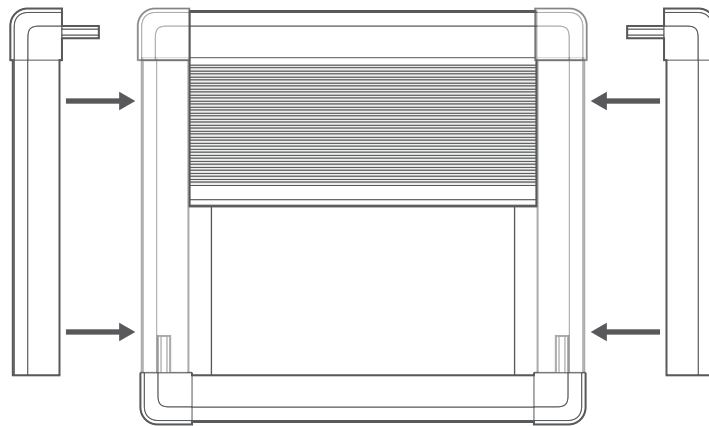
We've made a handy video version of this fitting guide, just click the play button to view it.

If you prefer to print the instructions or simply to follow step-by-step, just keep reading.

Assembling the frame

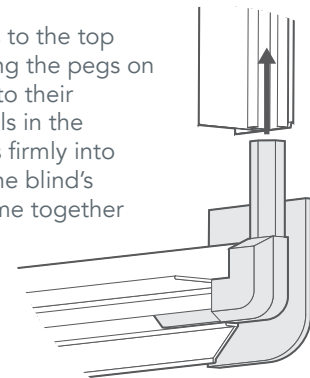
1

Unpack the blind and frame (the side frames are packed separately in the same box), then lay out all the parts to ensure no cords are tangled.



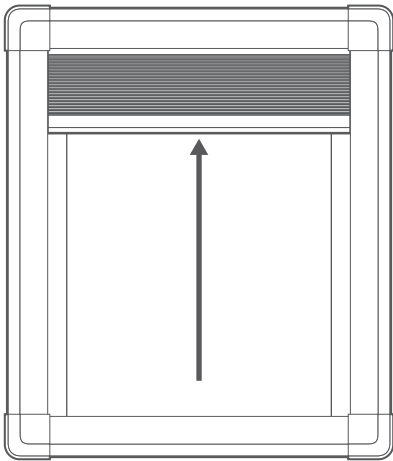
Before you slot the frames together, clip the corner cover pieces onto the corner joints so that they're firmly attached.

Attach the side frames to the top and bottom by inserting the pegs on each corner section into their corresponding channels in the frames. Press the pegs firmly into place, the tension in the blind's cords will hold the frame together once fully assembled.



Testing the tension

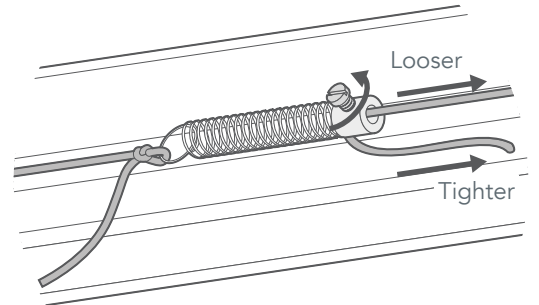
2



Stand the assembled frame upright and raise it fully to the top. If the blind starts to lower slightly of its own accord, the tension will need a small adjustment.

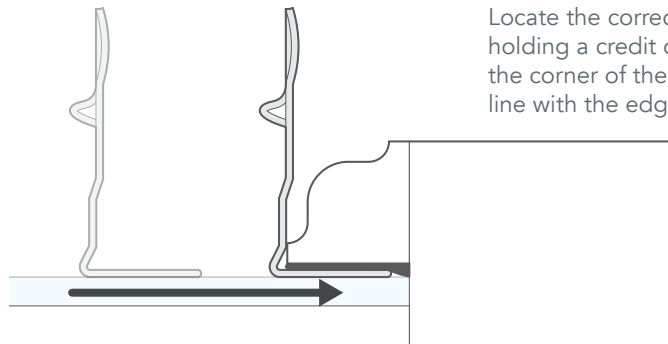
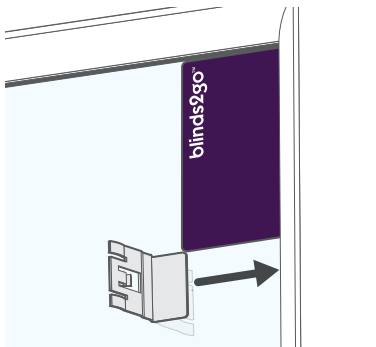
Lay the blind face down and find the small spring at the bottom of the frame, at the back. The two ends of the cords are secured to this spring. On one side, the cord is secured through a small eyelet with a screw. Loosen the screw, then pull through the cord to adjust the tension. Pull the excess cord through by 5-10mm further to increase the tension.

Stand the blind back up and retest, making further small adjustments to the tension if necessary.



Installing the brackets

3

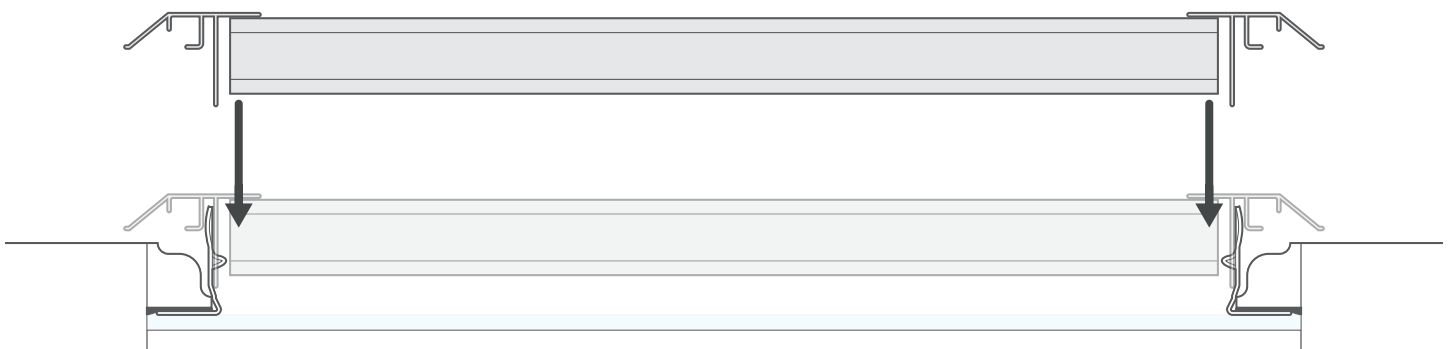


Locate the correct position for the brackets by holding a credit card or store card vertically in the corner of the glass - the bracket will sit in line with the edge of the card.

Installing the blind

4

Line the assembled blind up with the brackets so that the centre prong of the bracket is aligned with the oval slot on the frame. Ensure that the frame is sitting on the inside edge of each of the brackets (between the bracket and the glass).



Push the frame towards the window until the oval slots lock onto the prongs of each of the brackets. The installation of the blind is now complete.

