



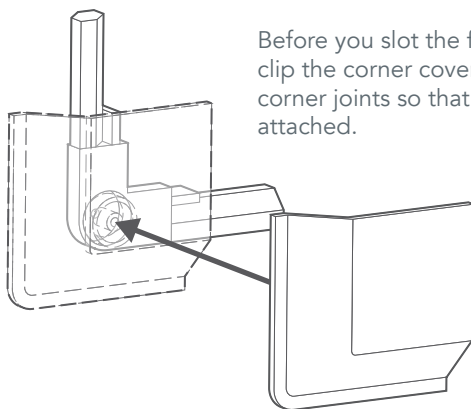
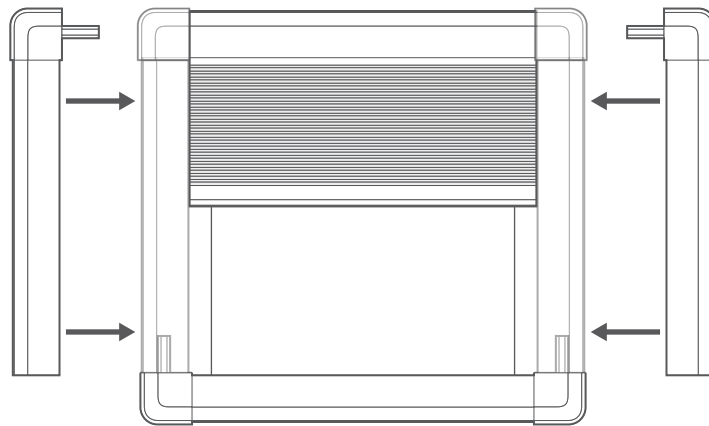
We've made a handy video version of this fitting guide, just click the play button to view it.

If you prefer to print the instructions or simply to follow step-by-step, just keep reading.

Assembling the frame

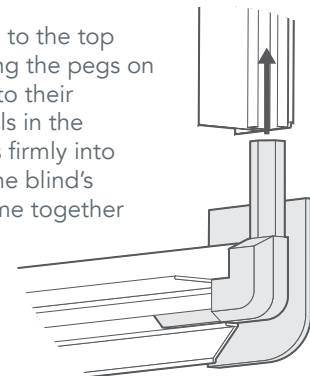
1

Unpack the blind and frame (the side frames are packed separately in the same box), then lay out all the parts to ensure no cords are tangled.



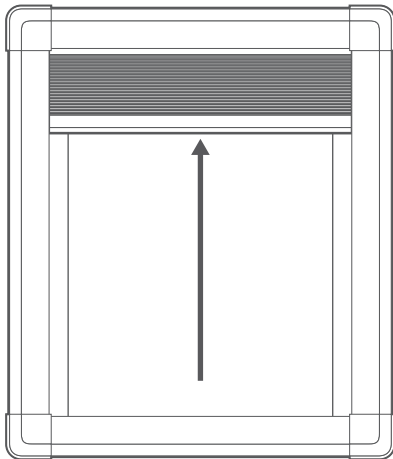
Before you slot the frames together, clip the corner cover pieces onto the corner joints so that they're firmly attached.

Attach the side frames to the top and bottom by inserting the pegs on each corner section into their corresponding channels in the frames. Press the pegs firmly into place, the tension in the blind's cords will hold the frame together once fully assembled.



Testing the tension

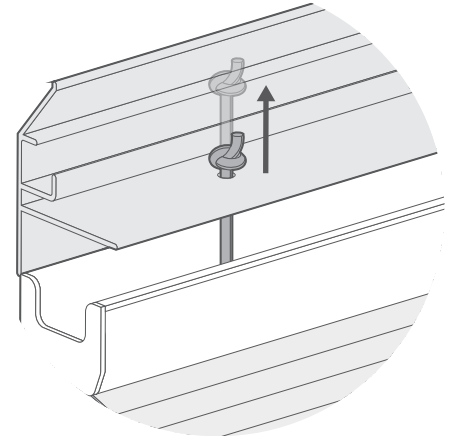
2



Stand the assembled frame upright and raise it fully to the top. If the blind starts to lower slightly of its own accord, the tension will need a small adjustment.

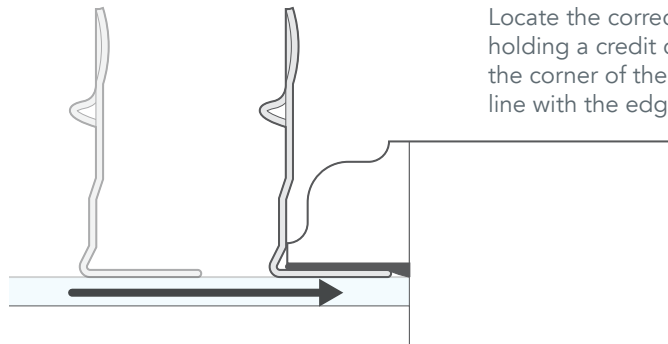
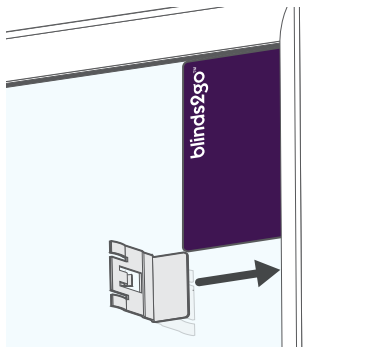
On the top of the frame the two guide cords are tied off with a knot - pull the cord through by 5mm and tie another knot to hold it in place. Do this on both of the guide cords at the top of the blind to increase the tension.

Stand the blind back up and retest, making further small adjustments to the tension if necessary.



Installing the brackets

3

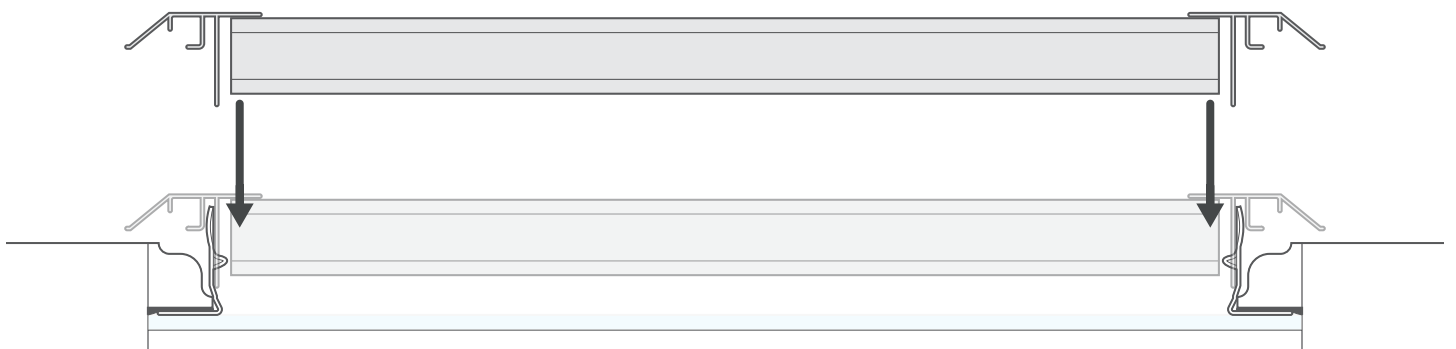


Locate the correct position for the brackets by holding a credit card or store card vertically in the corner of the glass - the bracket will sit in line with the edge of the card.

Installing the blind

4

Line the assembled blind up with the brackets so that the centre prong of the bracket is aligned with the oval slot on the frame. Ensure that the frame is sitting on the inside edge of each of the brackets (between the bracket and the glass).



Push the frame towards the window until the oval slots lock onto the prongs of each of the brackets. The installation of the blind is now complete.

