

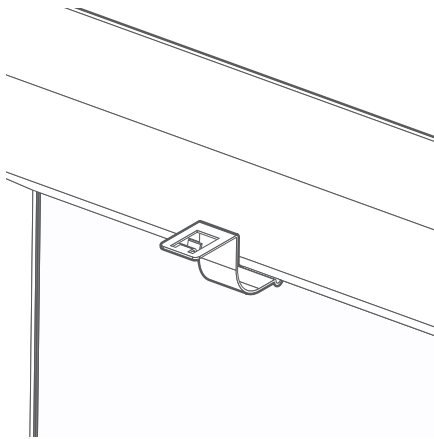


We've made a handy video version of this fitting guide, just click the play button to view it.

If you prefer to print the instructions or simply to follow step-by-step, just keep reading.

Installing the brackets

1

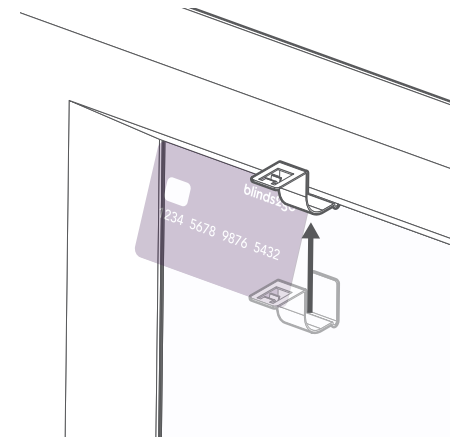


The brackets slide between the glass and the rubber seal.

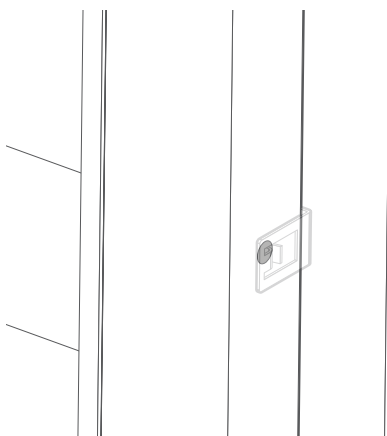
2 Brackets are inserted into the top of the window and 2 at the bottom.



To correctly locate the brackets, take a standard sized debit or credit card and hold it in the corner of the glass.



Slide the bracket into place so that it's lined up with the edge of the card. Do the same on each side, top and bottom.



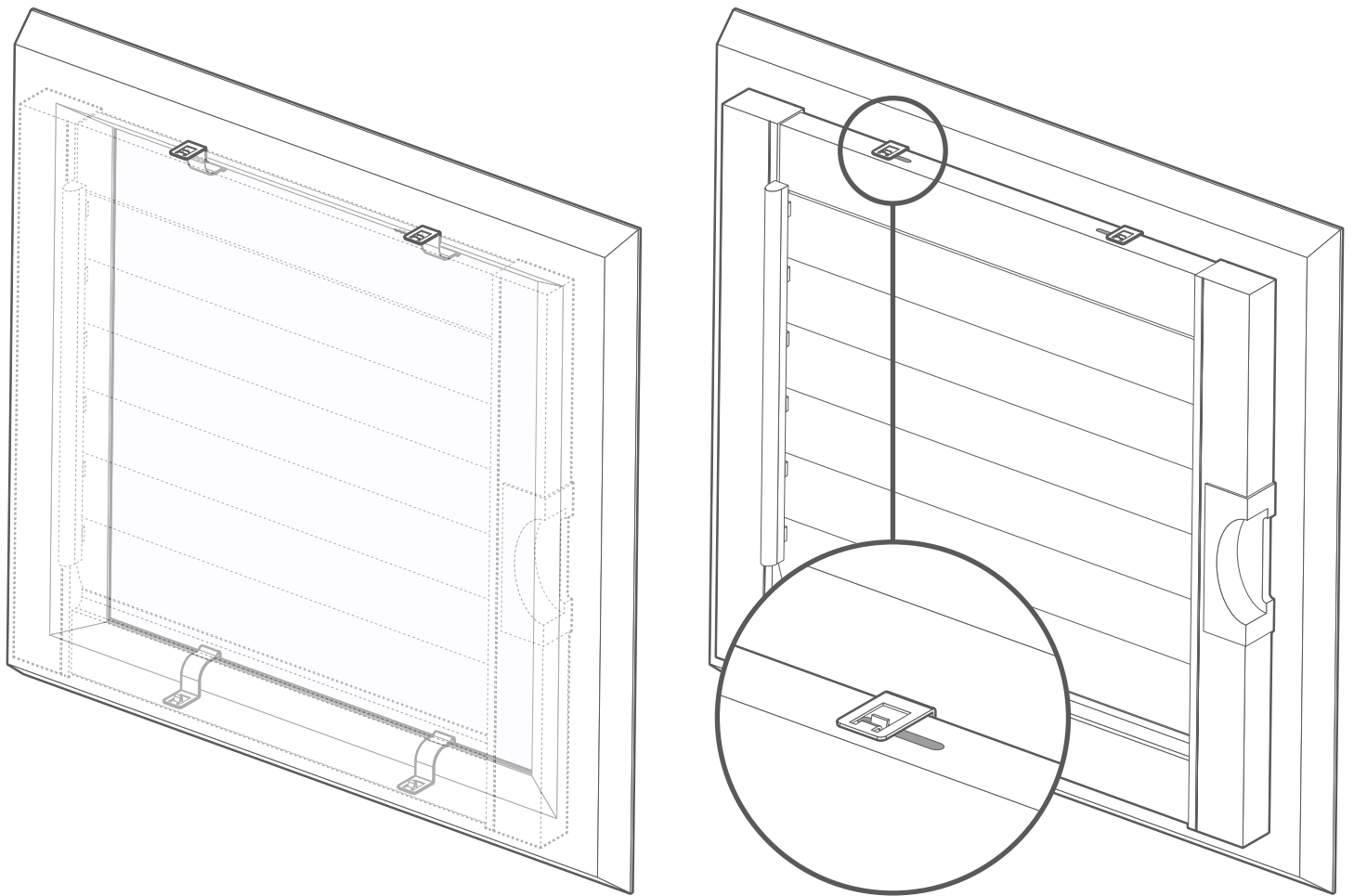
Taller shutters may be fitted with a 'midrail' to increase the shutter panel's stability.

If your Shutter has a midrail then there will be 4 extra brackets provided, which you should fit into the side frames of the window.

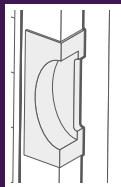
2 holes will be added to each of the shutter's side frames, located above and below the midrail on each side, for these brackets.

Installing the Shutter

2



Line up the notches in the top and bottom frames of the Shutter with the brackets, and push the Shutter back against the window until it slots into place.



Top Tip

Make sure that the cutout part on the side frame of the Shutter is on the side facing the window handle, if applicable.